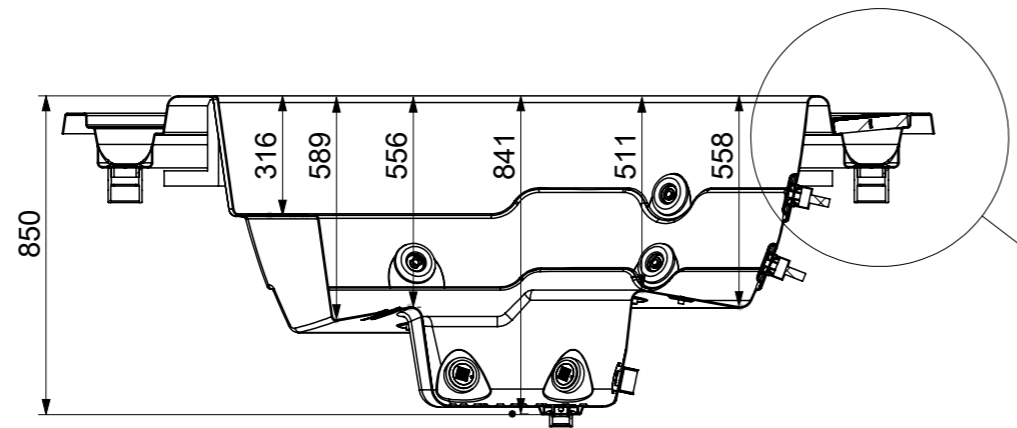
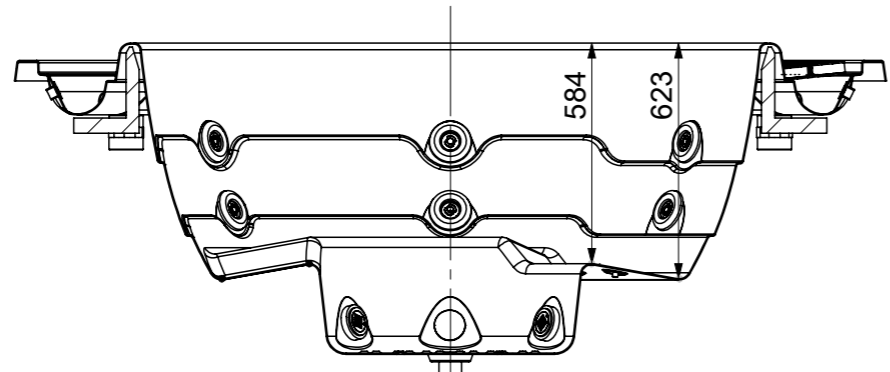


# 45215 SPA ROUND 2.3 m 20

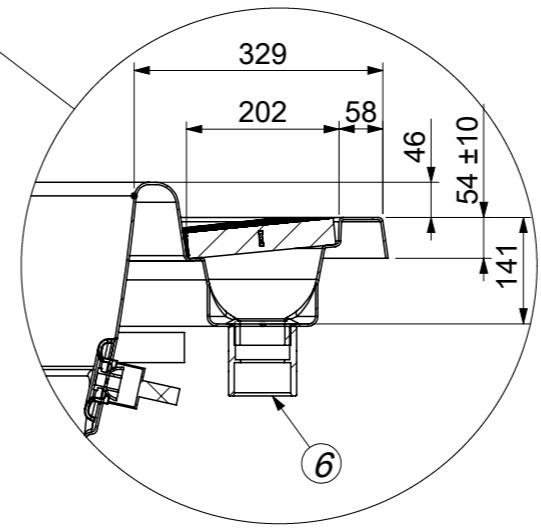
	45215 SPA ROUND 2'3 m 20
1	Suctions-Water Massage Pump 1
2	Jets-Water Massage Pump 1
3	Air Massage inlets
4	Return Filtration Pump (Bottom Drain)
5	Filtration Pump suction drains
6	Overflow Drains
7	Light (Halogen )



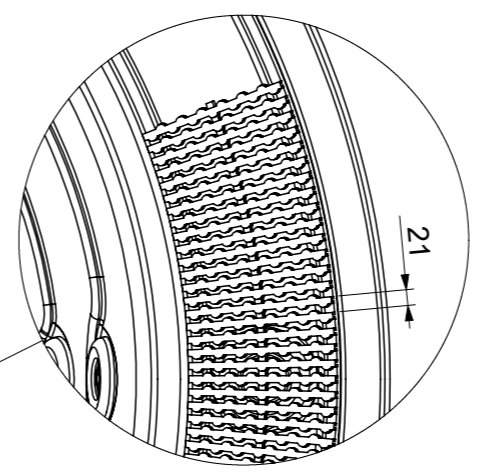
SECTION A A



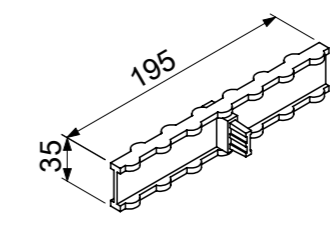
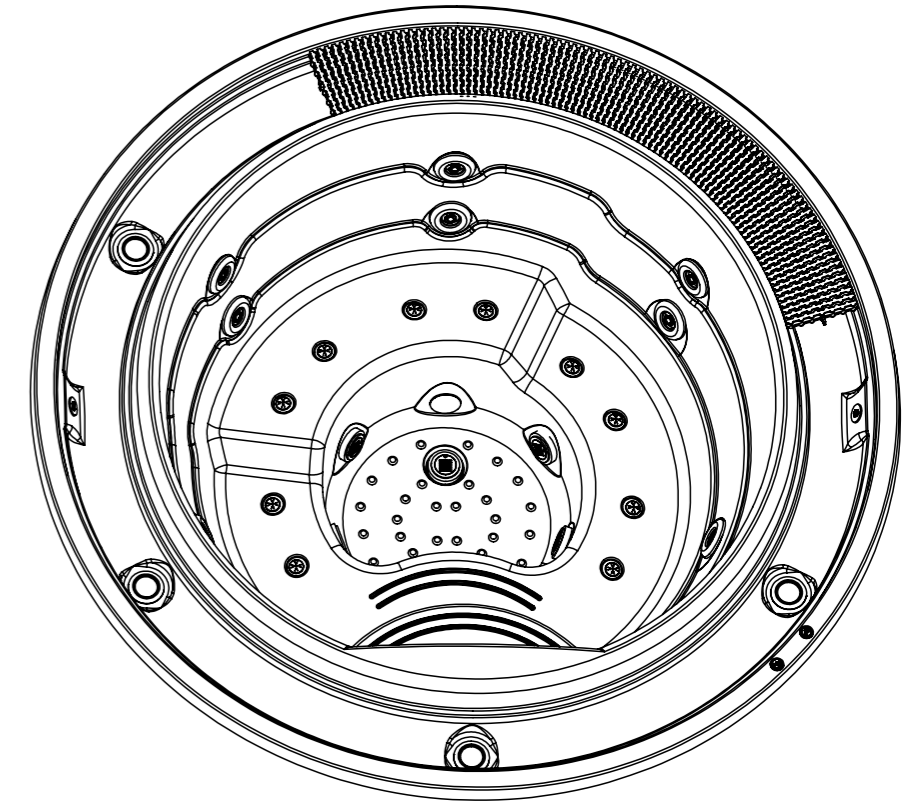
SECTION B B



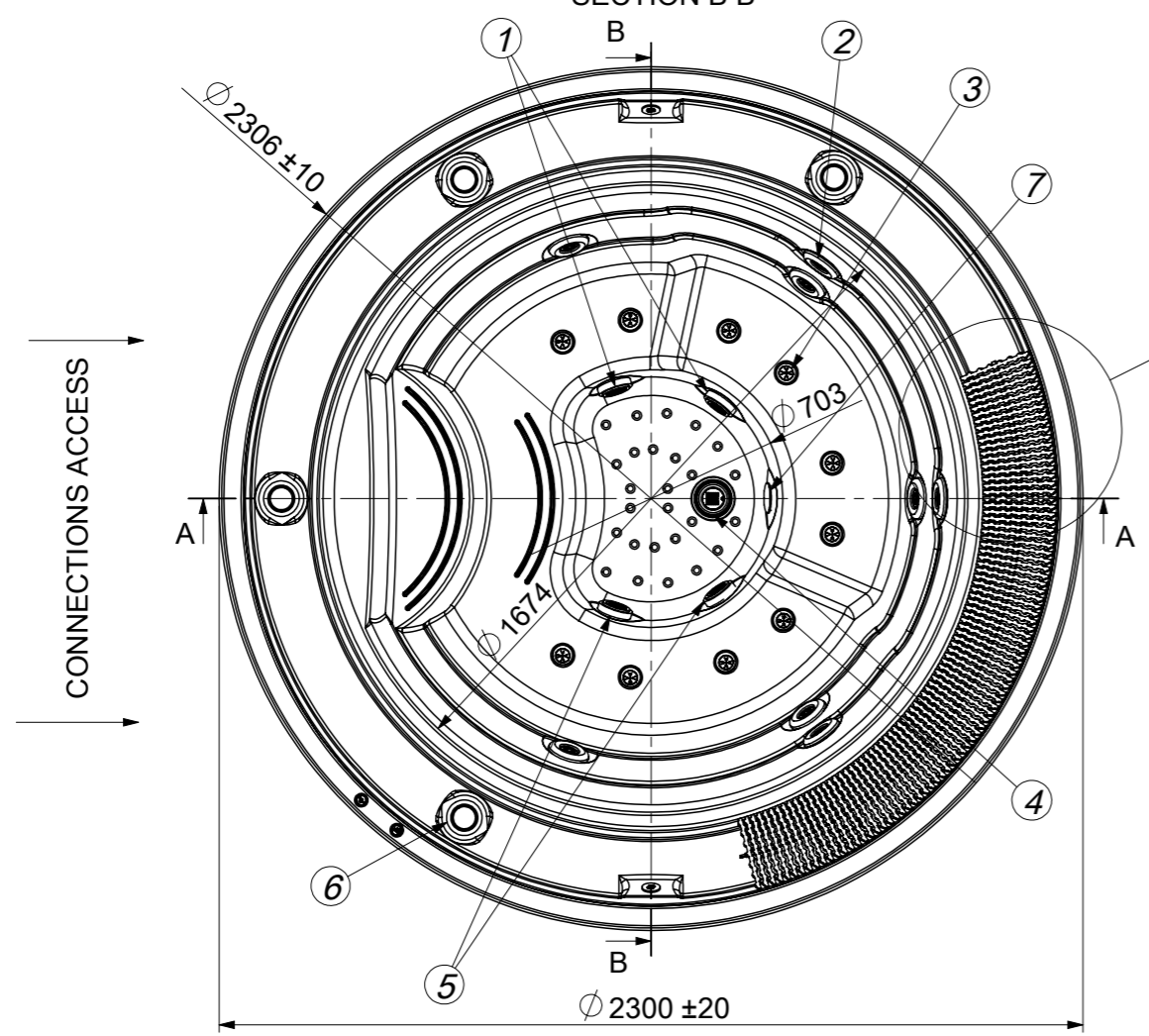
DETAIL C  
SCALE 1:10



DETAIL D  
SCALE 1:10



DETAIL GRID  
SCALE 1:10



Dimensions in mm.  
 Control Dimensions  
 \* CC/SC Critical or Significant Characteristics

03	01/03/10	M.Freixes	Change definitions of numbers
02	29/09/09	M.Freixes	Update to new standards
01	13-08-09	M.Baraut	Buttons added / Incorporación pulsadores
Change No. Cambio Núm.	Date Fecha	Name Nombre	Modification Modificación
Remarks Observaciones			

Drawn Dibujado	Date Fecha	Name Nombre	Part Name Nombre	Part Number Número	Rev No.
Checked Verificado	25-05-09	M.Baraut	Dimensional Drawing	45215SP001	03
Scale Escala	25-05-09	A.Deu		45215SP006	
General Tolerance Tolerancias Generales DIN 7168 ISO 2768g			Material	Surface Coating Acabado Superficial	Color RAL
Article number Num. Artículo			Drawing type Tipo de plano General Dimensions	Weight Peso (g)	Surface Hardness Shore A
45215SP001 45215SP006					First Angle Projection