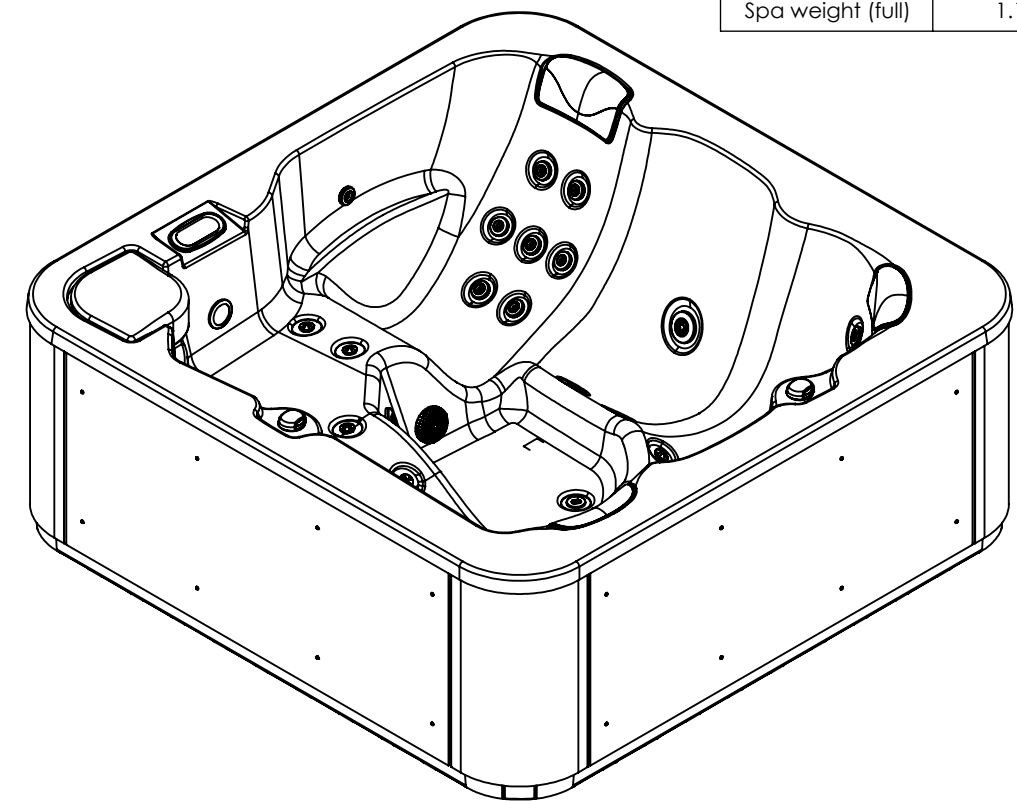
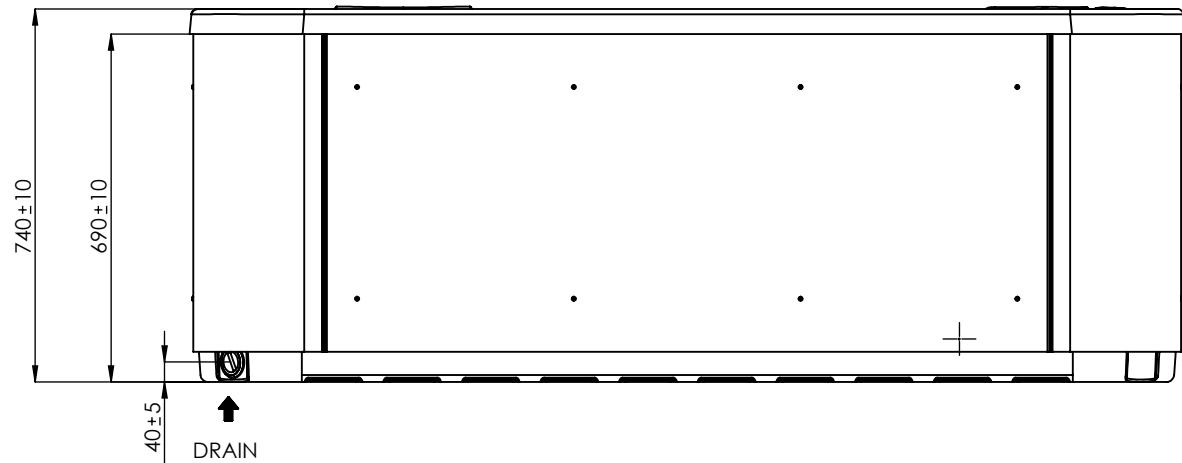
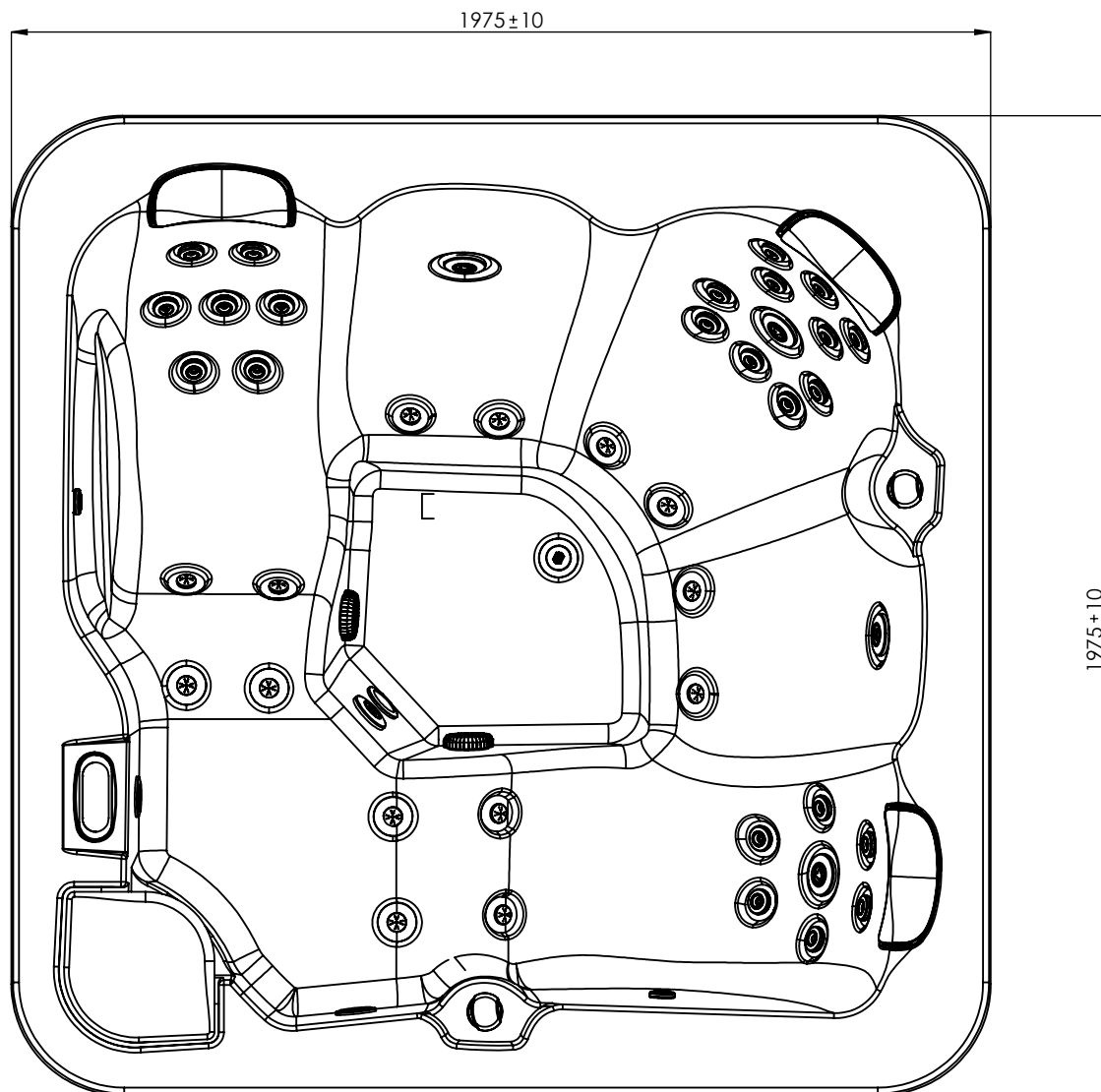


General specifications	
Spa weight (empty)	246 Kg
Spa weight (full)	1.181 Kg



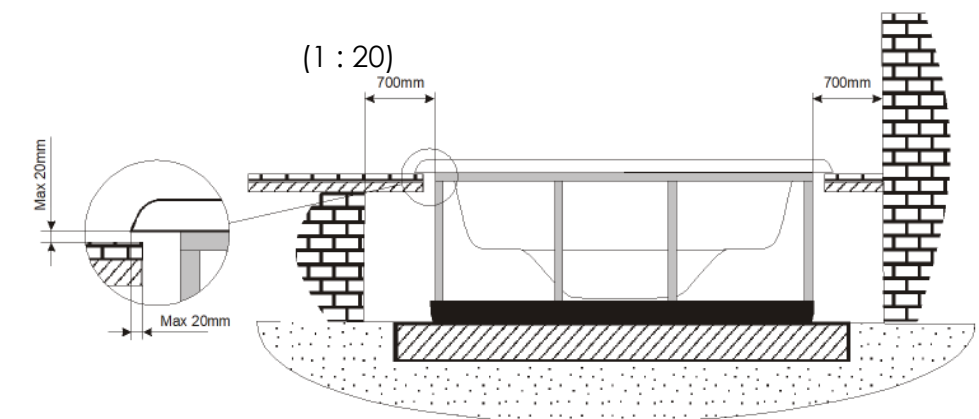
ELECTRICAL BOARD CONNECTIONS ACCESS



### Inground option

**WARNING:**

It's essential to keep a minimum clearance access of **700mm** all around.



According to our policy of continuous improvement, dimensions, features or components of this product can be partially or completely changed without prior notice. It's Customer responsibility to verify that this is the last version of the drawing

13	10/01/2020	I.Rica	Drain position and dimensions modified
12	14/12/2018	D.Castillo	Spa weight added.
11	18/06/2018	A.Miquel	Changing CMP jets.
10	05/05/2017	O. Faura	Changing of electronic parts references.
09	22/10/2014	I.Pozo	Change scale and new spare template
Change No.	Date	Name	Modification

Remarks			COMMERCIAL			
Dimensions in mm. General Tolerances +/- 10mm						
Drawn	10/01/2020	I.Rica		Part Number <b>41578</b>	Rev. <b>13</b>	First Angle Projection 
Checked	10/01/2020	X.Codina				
Scale	1:15	General Tolerance DIN 7168 ISO 2768g				
Sheet	1/1					