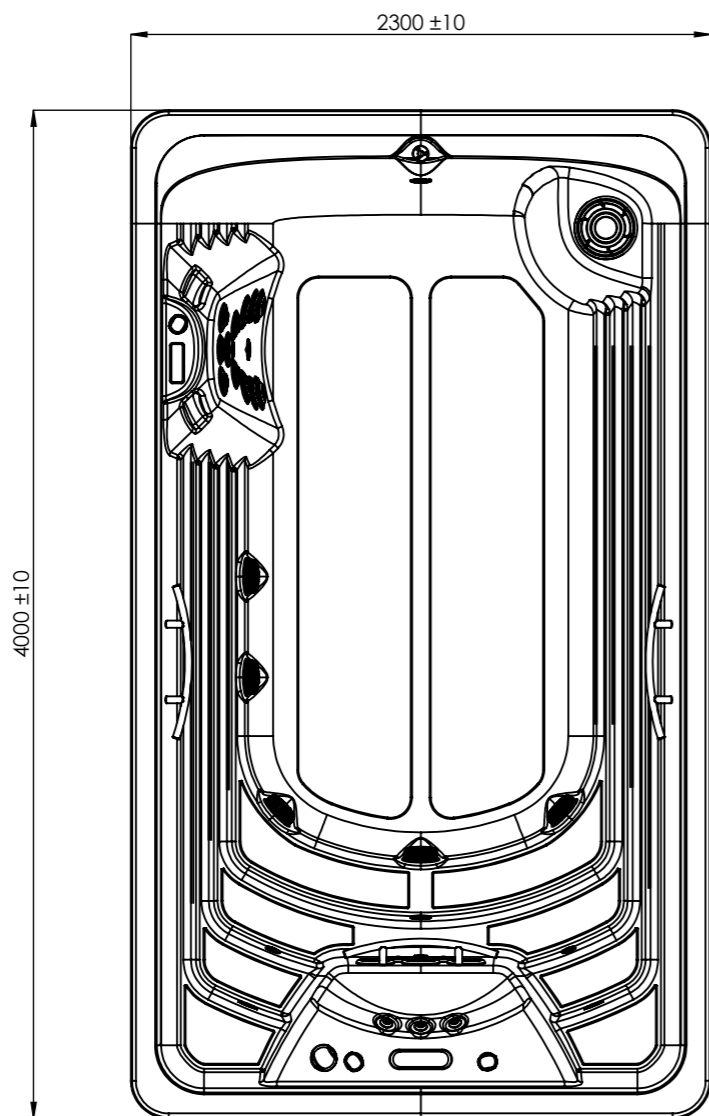
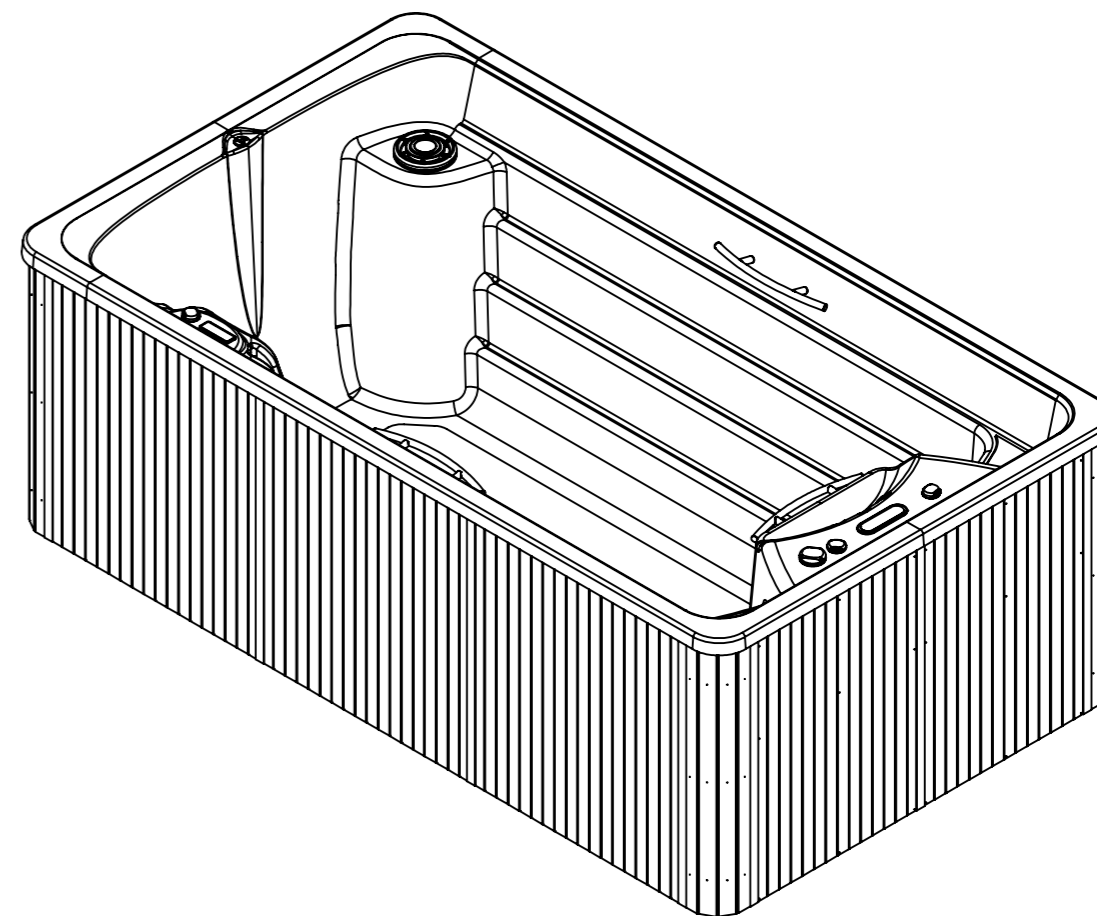


↑
DRAIN



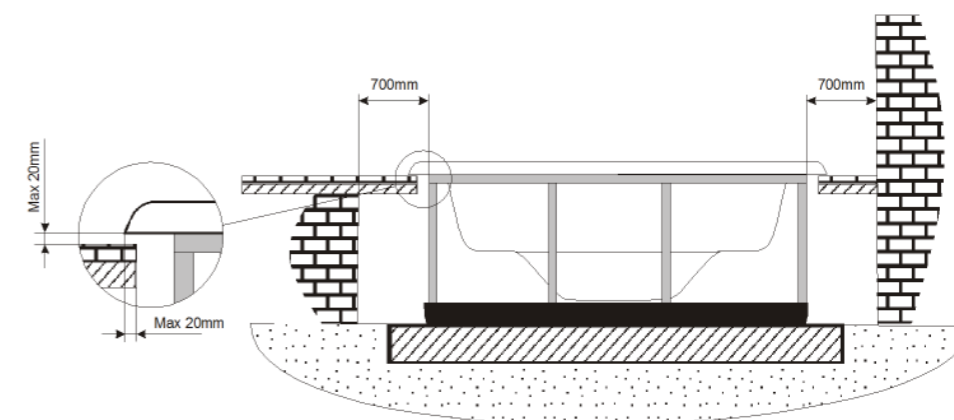
↑
DRAIN

↑ ↑
ELECTRICAL BOARD CONNECTIONS ACCESS


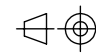


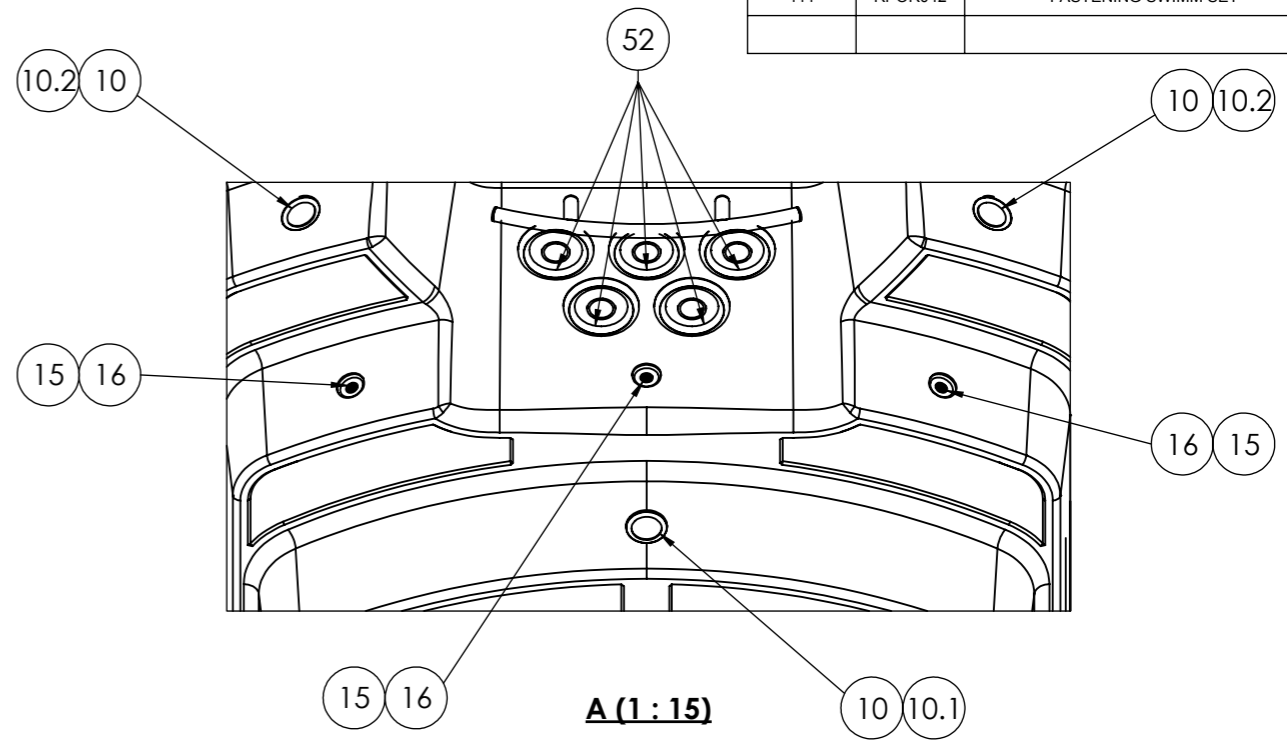
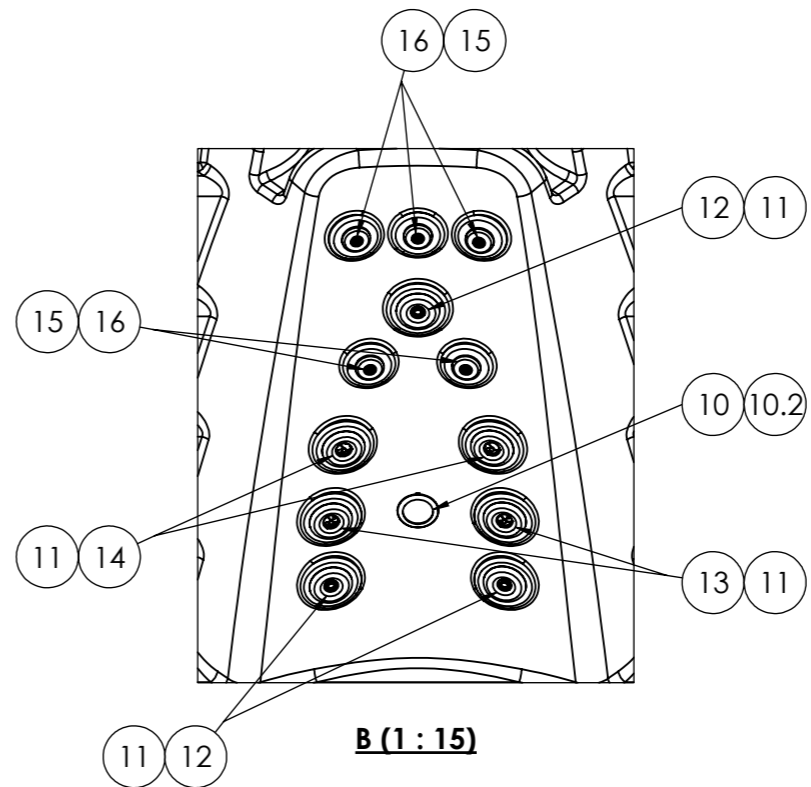
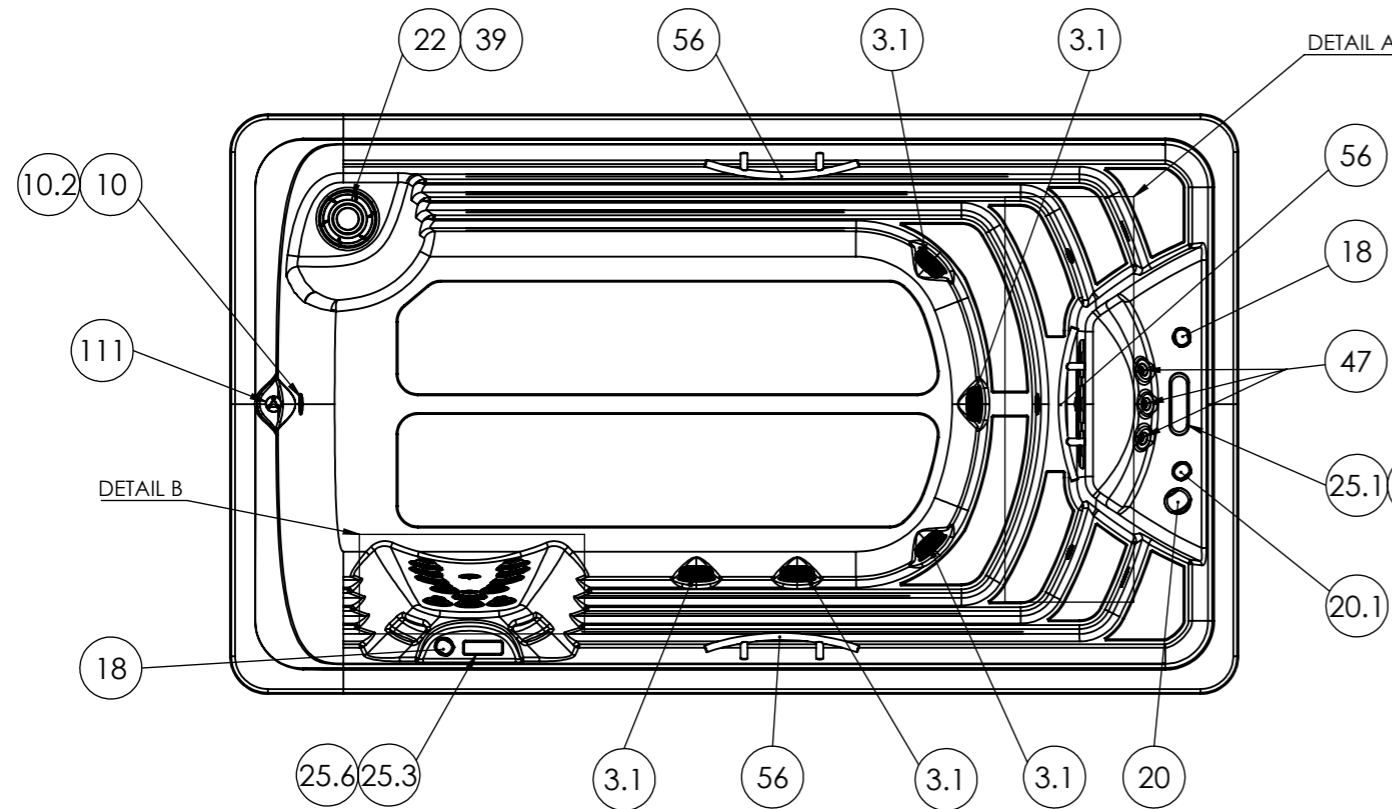
Inground option

WARNING:
It's essential to keep a minimum clearance access of **700mm** all around.



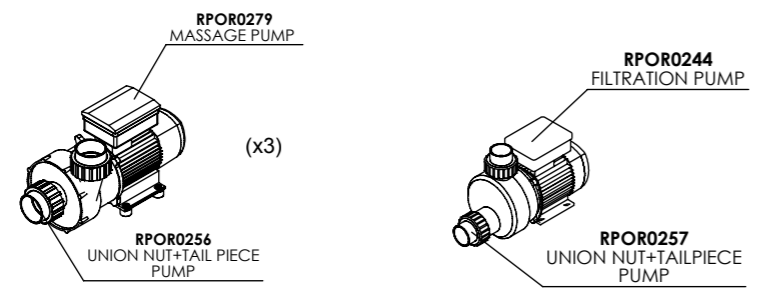
According to our policy of continuous improvement, dimensions, features or components of this product can be partially or completely changed without prior notice.
It's Customer responsibility to verify that this is the last version of the drawing

| | | | | | | |
|---|---|----------|--------------|---|-----------------------------|---|
| Change No. | Date | Name | Modification | | | |
| Remarks | | | | COMMERCIAL | | |
| Dimensions in mm. General Tolerances +/- 10mm | | | | | | |
| Drawn | 20/03/2017 | O. Faura | |  | Part Number 69128 | Rev. 00 |
| Checked | 20/03/2017 | V. Saiz | | | | |
| Scale 1:30 | General Tolerance DIN 7168 ISO 2768g | | | | | |
| Sheet 1/2 | | | | | |  |

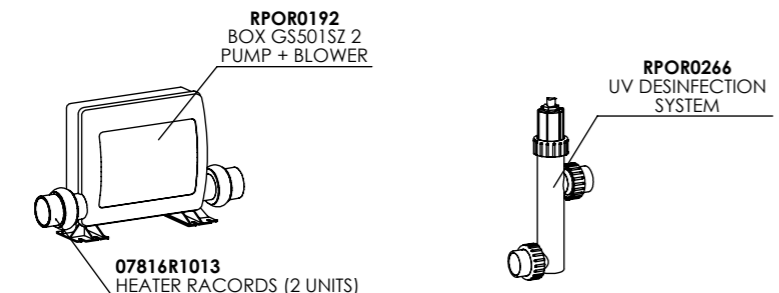


| ACCESSORIES | | | |
|---------------|---------------|--|--------|
| Position Num. | Part N° SPARE | Description SPARE | Quant. |
| 3.1 | RPOR0166 | SUPER HI-FLO SUCTION 2" GREY | 5 |
| 10 | RPOR0239 | SPOTLIGHT LED SET RD | 5 |
| 10.1 | RPOR0240 | MASTER LED LIGHT | 1 |
| 10.2 | RPOR0252 | LED SLAVE LIGHT | 4 |
| 11 | RPOR0236 | JET BODY SET RD 3" | 7 |
| 12 | RPOR0231 | FRONTAL JET 3" STAINLESS STEEL DIRECTIONAL | 3 |
| 13 | RPOR0233 | FRONTAL JET 3" STAINLESS STEEL TWIN ROTO | 2 |
| 14 | RPOR0232 | FRONTAL JET 3" STAINLESS STEEL 1 JET ROTO | 2 |
| 15 | RPOR0235 | JET BODY SET RD 2" | 8 |
| 16 | RPOR0230 | FRONTAL JET 2" STAINLESS STEEL DIRECTIONAL | 8 |
| 18 | RPOR0261 | VENTURY CONTROLLER SS | 2 |
| 20 | RPOR0262 | 3 WAYS SS VALVE 2" | 1 |
| 20.1 | RPOR0286 | 3 WAYS VALVE 1" SS | 1 |
| 22 | RPOR0174 | SKIMMER SWIMSPA | 1 |
| 25 | RPOR0196 | DIGITAL PANEL VL700+COVER 2 PUMP + BLOWER | 1 |
| 25.1 | RPOR0202 | COVER DIGITAL PANEL VL700 2 PUMP + BLOWER | 1 |
| 25.3 | RPOR0291 | COVER AUXILIARY PANEL VL700 (3 PUMPS) | 1 |
| 25.6 | RPOR0312 | AUX PANEL VX40 3 JETS PUMPS | 1 |
| 39 | RPOR0175 | SWIMSPA CARTDRIGE FILTER | 1 |
| 47 | RPOR0165 | FOUNTAIN | 3 |
| 56 | RPOR0250 | SPECIAL HANDGRIP SPA 600 | 3 |
| 52 | RPOR0282 | SWIM JET STAINLESS STEEL | 5 |
| 111 | RPOR042 | FASTENING SWIMM SET | 1 |
| | | | 1 |

PUMPS SPARE CODES



HEATER AND DESINFECTION SPARE CODES



07816R1013 HEATER RACORDS (2 UNITS)
 RPOR0101 - TEMPERATURE PROBES GS I GL (x 2)
 RPOR0105 - HEATER 3 KW GS I GL
 RPOR0197 - DIGITAL PANEL GS501SZ
 RPOR0193 - EXPANDER BOARD KIT FOR SISTEM GS501SZ

According to our policy of continuous improvement, dimensions, features or components of this product can be partially or completely changed without prior notice. It's Customer responsibility to verify that this is the last version of the drawing

| | | | | | | | |
|---|---|----------|--------------|--|-------|----|--|
| Change No. | Date | Name | Modification | SPARE PARTS DRAWING Part Number: 69128 Rev.: 00 First Angle Projection | | | |
| Remarks | | | | | | | |
| Dimensions in mm. General Tolerances +/- 10mm | | | | | 69128 | 00 | |
| Drawn | 20/03/2017 | O. Faura | | | | | |
| Checked | 20/03/2017 | V. Saiz | | | | | |
| Scale 1:30 | General Tolerance DIN 7168 ISO 2768g | | | | | | |
| Sheet 2/2 | Property of IBERSPA S.L. Avda. Pla d'Urgell 2-8 25200 Cervera, Spain. Don't use without permission. Keep this information confidential and use it solely for the permitted purpose. | | | | | | |