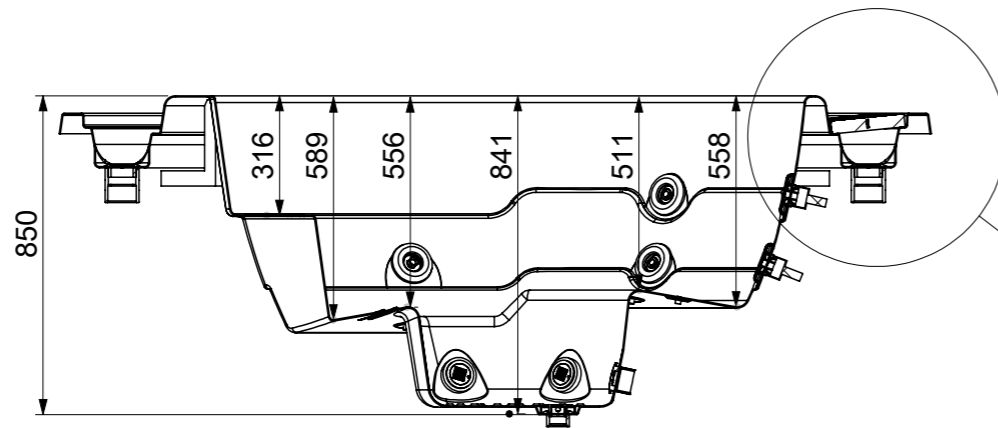
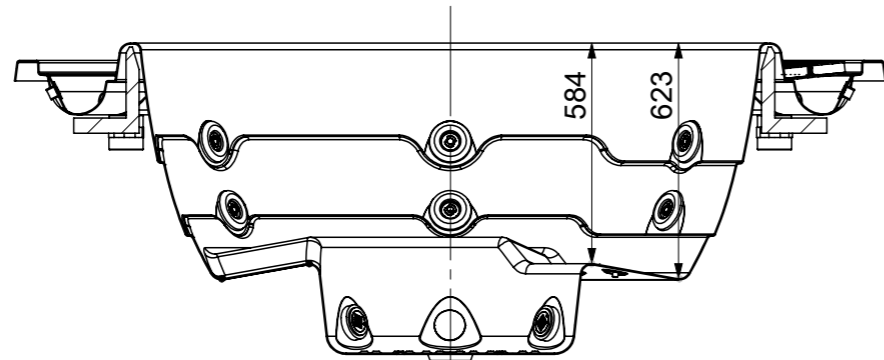


45215 SPA ROUND 2.3 m 20

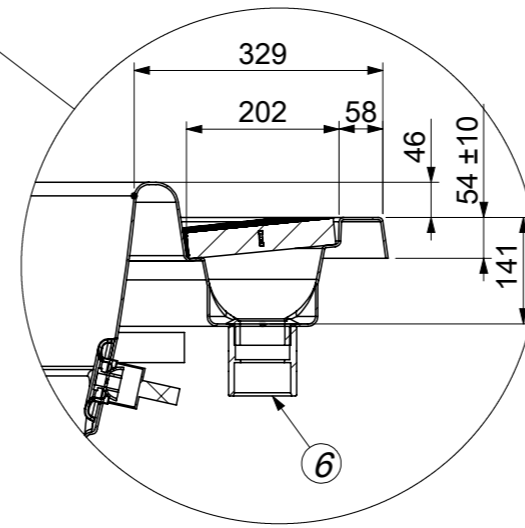
	45215 SPA ROUND 2'3 m 20
1	Suctions-Water Massage Pump 1
2	Jets-Water Massage Pump 1
3	Air Massage inlets
4	Return Filtration Pump (Bottom Drain)
5	Filtration Pump suction drains
6	Overflow Drains
7	Light (Halogen)



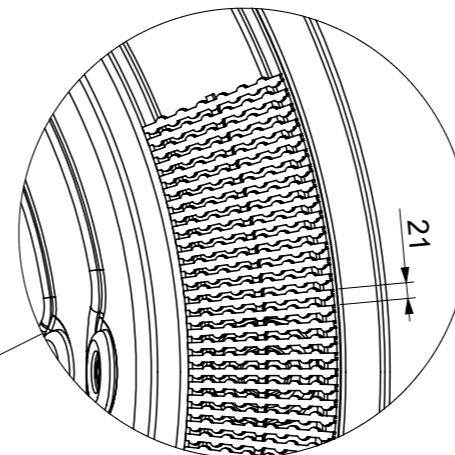
SECTION A A



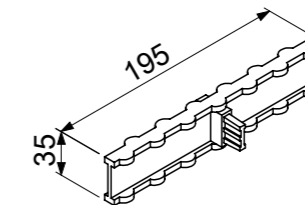
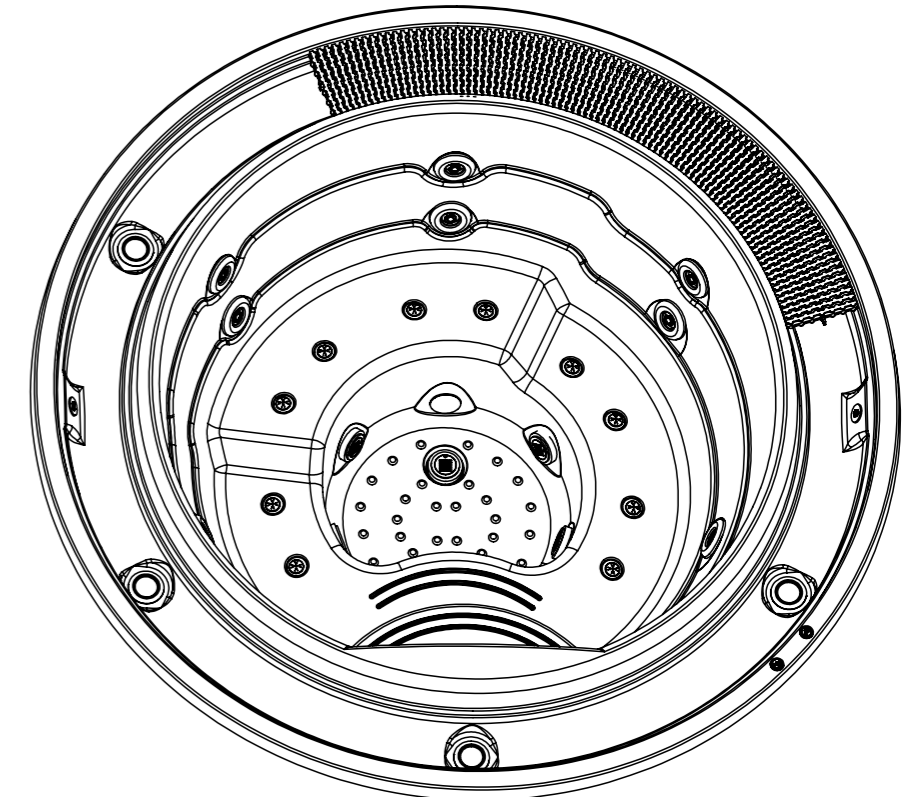
SECTION B B



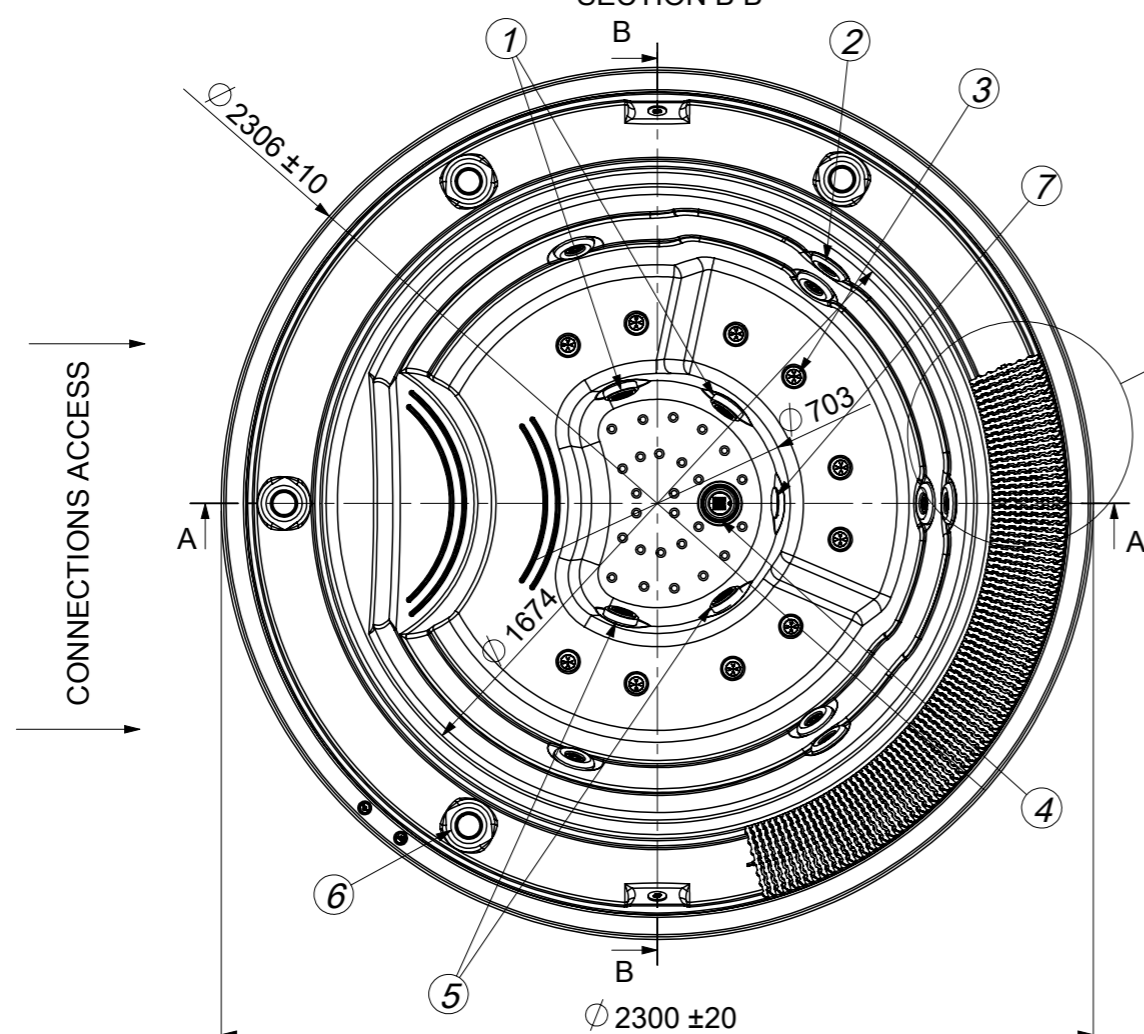
DETAIL C
SCALE 1:10



DETAIL D
SCALE 1:10



DETAIL GRID
SCALE 1:10



Dimensions in mm.
 Control Dimensions
 * CC/SC Critical or Significant Characteristics

03	01/03/10	M.Freixes	Change definitions of numbers
02	29/09/09	M.Freixes	Update to new standards
01	13-08-09	M.Baraut	Buttons added / Incorporación pulsadores
Change No. Cambio Núm.	Date Fecha	Name Nombre	Modification Modificación

Remarks Observaciones						
	Date Fecha	Name Nombre	Part Name Nombre	Part Number Número	Rev No.	
Drawn Dibujado	25-05-09	M.Baraut	Dimensional Drawing	45215SP001	03	
Checked Verificado	25-05-09	A.Deu		45215SP006		
Scale Escala 1:20	General Tolerance Tolerancias Generales DIN 7168 ISO 2768g		Material	Surface Coating Acabado Superficial	Color RAL	
	Article number Num. Artículo 45215SP001 45215SP006		Drawing type Tipo de plano General Dimensions	Weight Peso (g)	Surface Hardness Shore A	First Angle Projection