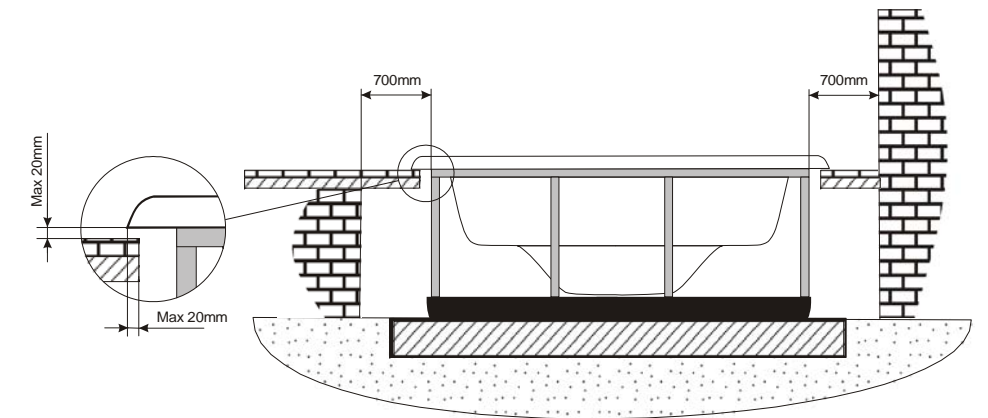


**Inground option**


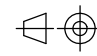
**WARNING:**

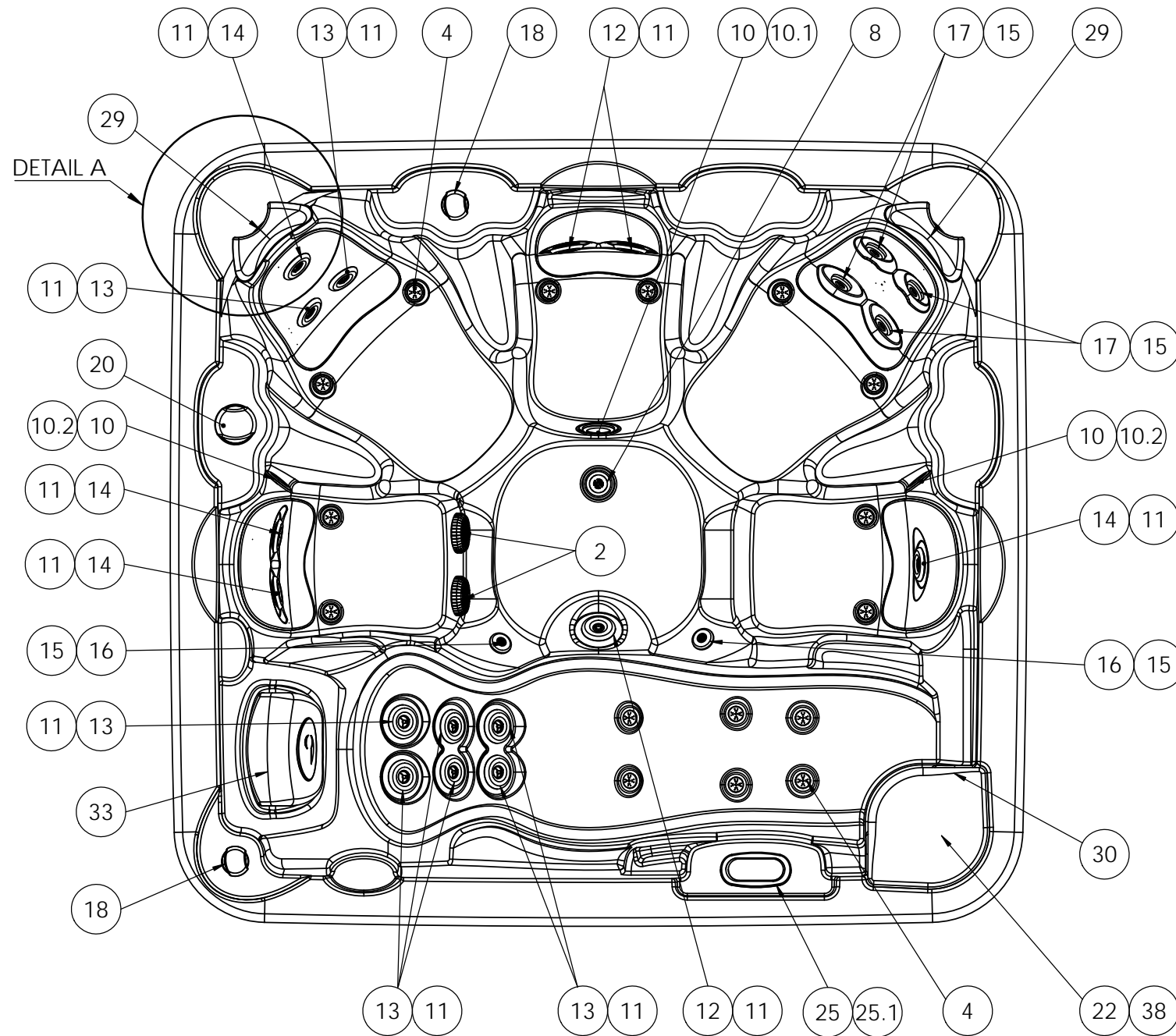
It's essential to keep a minimum clearance access of **700mm** all around.

ELECTRICAL BOARD CONNECTIONS ACCESS

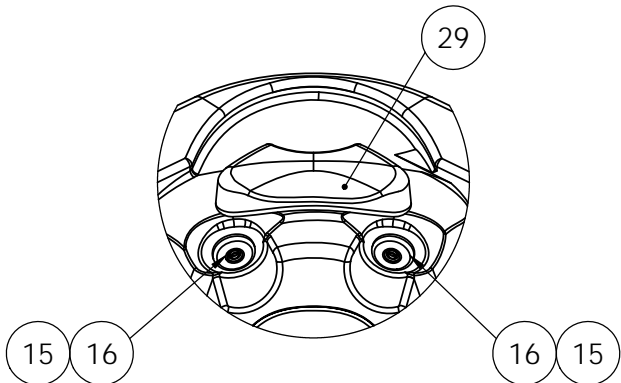


According to our policy of continuous improvement, dimensions, features or components of this product can be partially or completely changed without prior notice. It's Customer responsibility to verify that this is the last version of the drawing

02	15/10/2014	I.Pozo	Change scale and new spare template
01	02/06/2014	I.Pozo	New templates
00	30/05/2013	X.Codina	Drawing creation
Change No.	Date	Name	Modification
Remarks			COMMERCIAL
Dimensions in mm. General Tolerances +/- 10mm			
Drawn	30/05/2013	X.Codina	
Checked	-	I.Nicolas	
Scale	1:15	General Tolerance	Part Number
Sheet	1/2	DIN 7168 ISO 2768g	58903
			Rev.
			02
			First Angle Projection
			

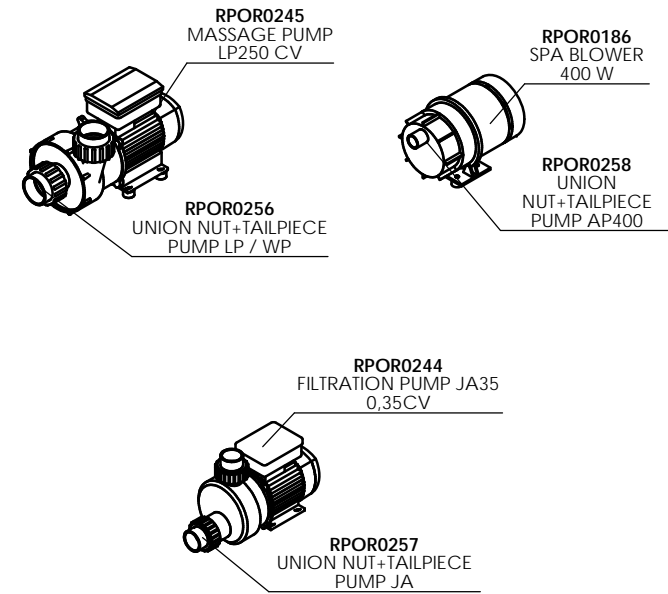


DETAIL A

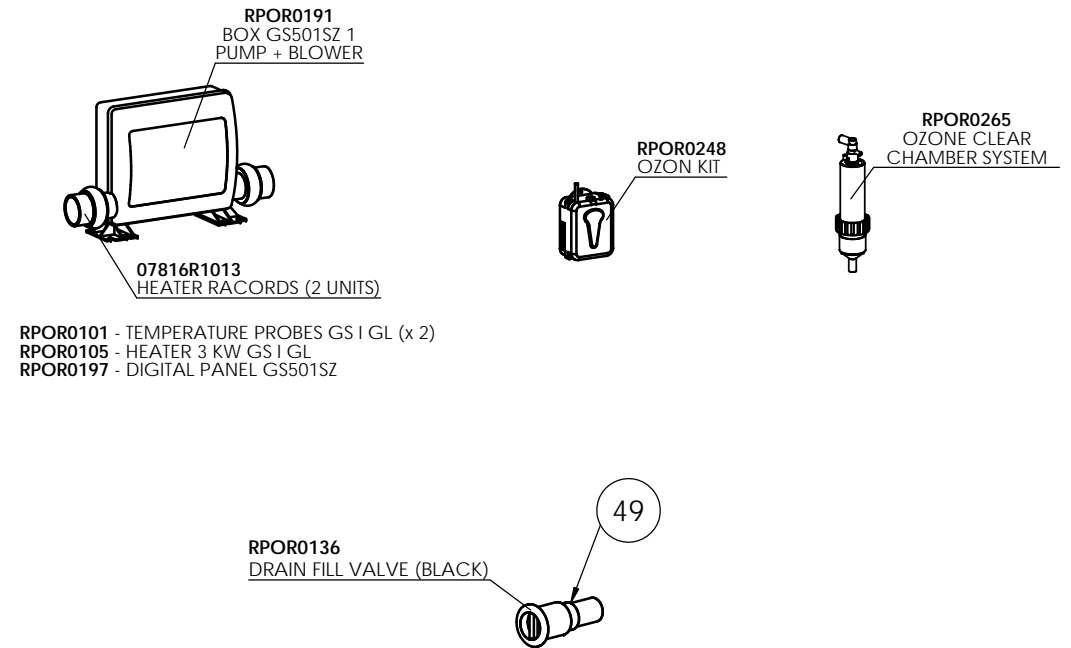


A (1 : 10)

**PUMPS SPARE CODES**



**HEATER AND DESINFECTION SPARE CODES**



ACCESSORIES			
Position Num.	Part Nº SPARE	Description SPARE	Quant.
2	RPOR0225	GREY SPA DRAIN 2" ADAPTOR SOCKET D.50	2
4	REMP0046	WHITE-STAINLESS STEEL AIR NOZZLE	16
8	RPOR0003	GREY DRAIN SET - BODY+COVER+ASSEMBLY	1
10	RPOR0239	SPOTLIGHT LED SET RD	3
10.1	RPOR0240	MASTER LED LIGHT	1
10.2	RPOR0252	LED SLAVE LIGHT	2
11	RPOR0236	JET BODY SET RD 3"	15
12	RPOR0231	FRONTAL JET 3" STAINLESS STEEL DIRECTIONAL	3
13	RPOR0232	FRONTAL JET 3" STAINLESS STEEL 1 JET ROTO	8
14	RPOR0233	FRONTAL JET 3" STAINLESS STEEL TWIN ROTO	4
15	RPOR0235	JET BODY SET RD 2"	8
16	RPOR0230	FRONTAL JET 2" STAINLESS STEEL DIRECTIONAL	4
17	RPOR0260	JET TWIN ROTO 2" INOX	4
18	RPOR0261	VENTURY CONTROLLER SS	2
20	RPOR0262	3 WAYS SS VALVE 2"	1
22	RPOR0238	SKIMERFILTER RD LOW PROFILE	1
25	RPOR0241	CONTROL PANEL VL600S	1
25.1	RPOR0243	COVER DIGITAL PANEL VL600S MASSAGE + BLOWER	1
29	RPOR0095	SMALL HEADREST - PACIFIC-ANTARTIC	2
30	RPOR0156	SKIMFILTER COVER	1
33	RPOR0094	BIG HEADREST - PACIFIC-ANTARTIC-EVOLUTION	1
38	RPOR0247	FILTER CARTRIDGE SKIMFILTER RD	1
49	RPOR0136	DRAIN FILL VALVE (BLACK)	1

According to our policy of continuous improvement, dimensions, features or components of this product can be partially or completely changed without prior notice. It's Customer responsibility to verify that this is the last version of the drawing

Change No.	Date	Name	Modification
02	15/10/2014	I.Pozo	Change scale and new spare template
01	02/06/2014	I.Pozo	New templates
00	30/05/2013	X.Codina	Drawing creation

Remarks Dimensions in mm. General Tolerances +/- 10mm			<b>SPARE PARTS DRAWING</b>		
Drawn	30/05/2013	X.Codina			
Checked	-	I.Nicolas		Part Number	58903
Scale	1:15	General Tolerance DIN 7168 ISO 2768g		Rev.	02
Sheet	2/2			First Angle Projection	

Property of IBERSPA S.L. Avda. Pla d'Urgell 2-8 25200 Cervera, Spain. Don't use without permission. Keep this information confidential and use it solely for the permitted purpose.