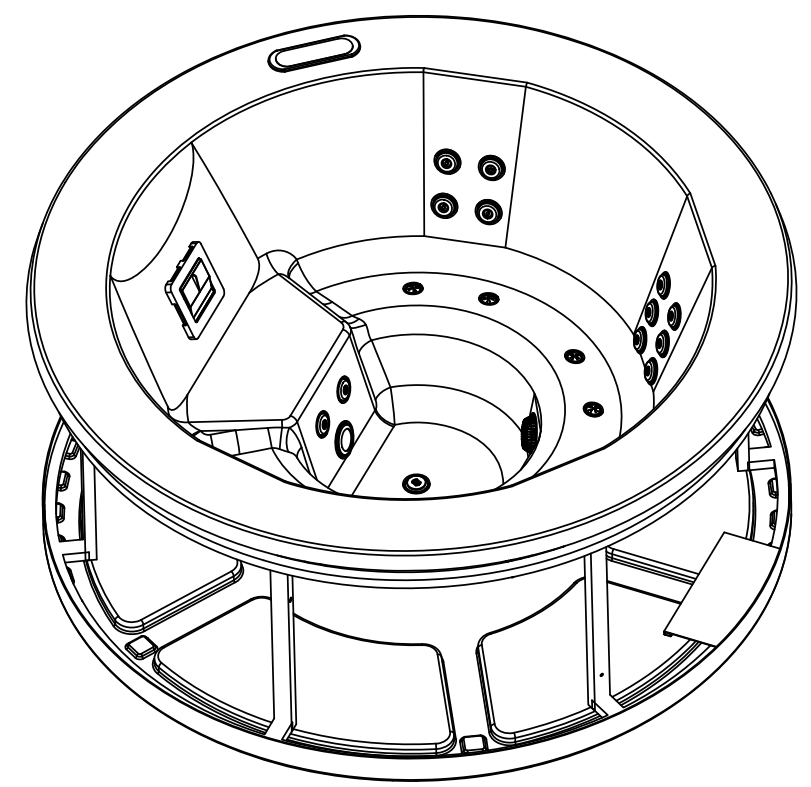
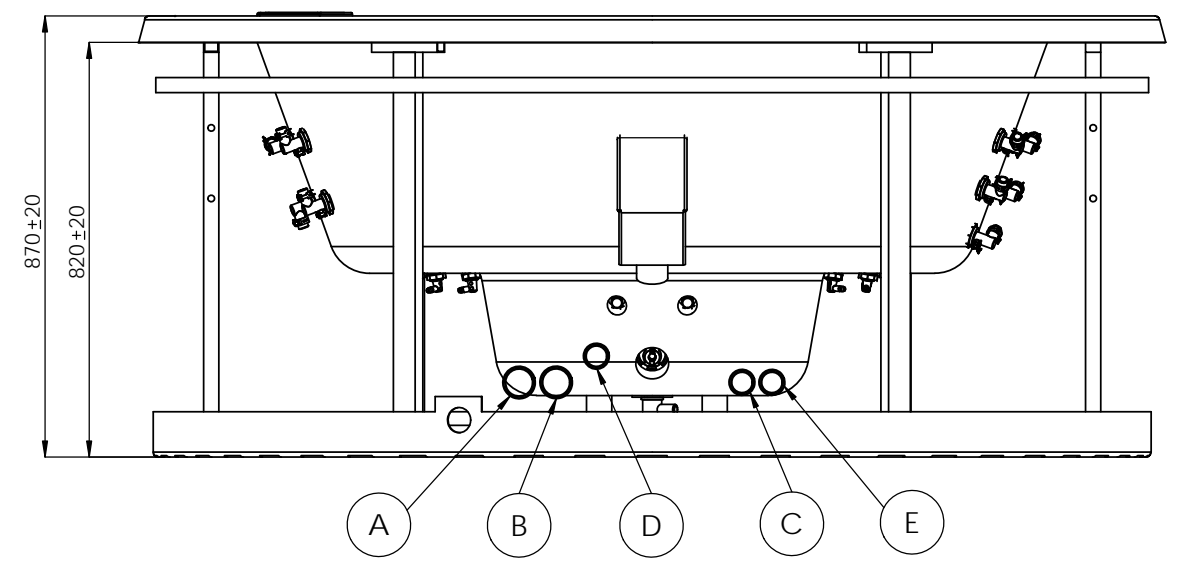
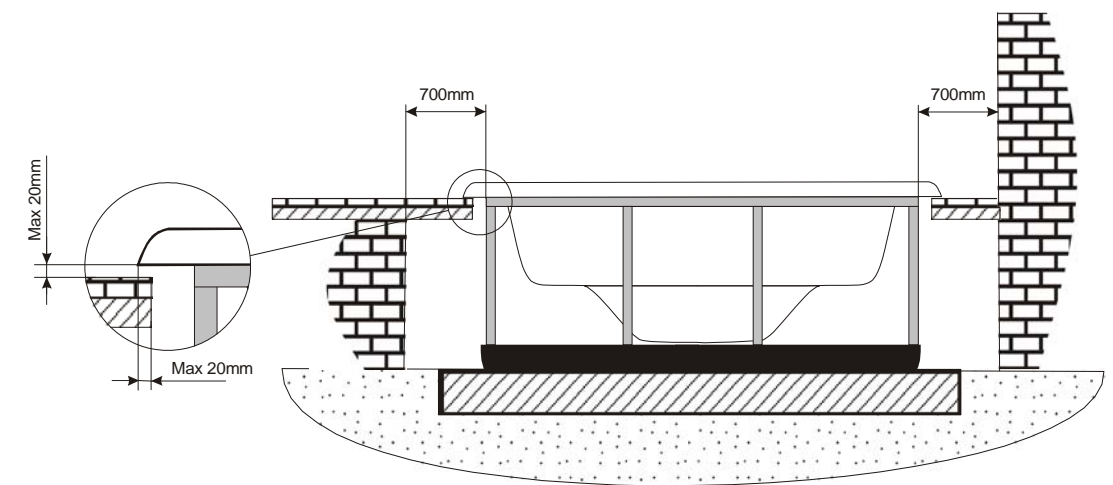
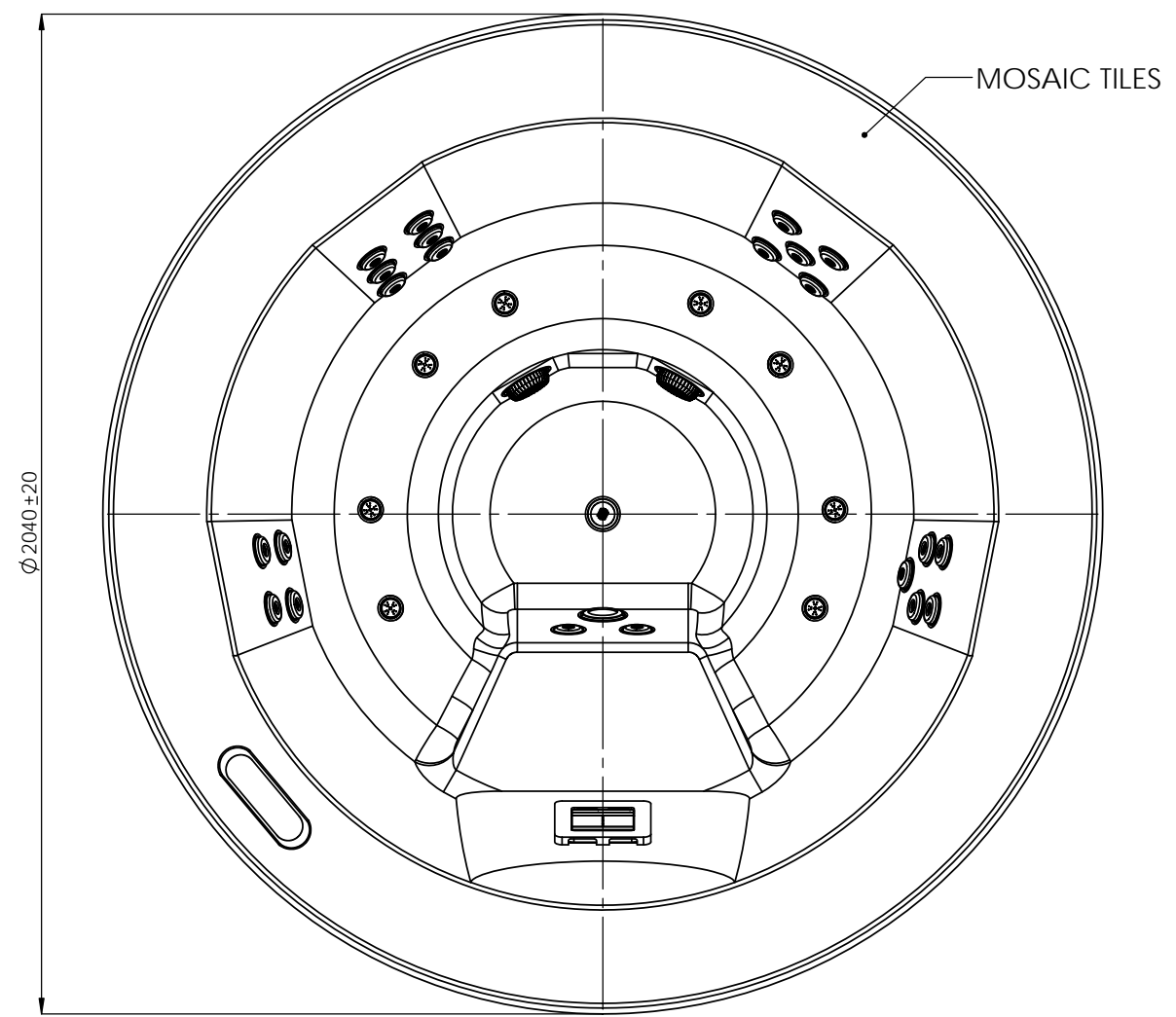


A	Suction-Water Massage Pump 1	Ø 63mm FEMALE SOCKET
B	Return-Water Massage Pump 1	Ø 63mm FEMALE SOCKET
C	Return-Air Massage	Ø 50mm FEMALE SOCKET
D	Suction-Filtration Pump	Ø 50mm FEMALE SOCKET
E	Return-Filtration Pump Inlets	Ø 50mm FEMALE SOCKET



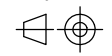


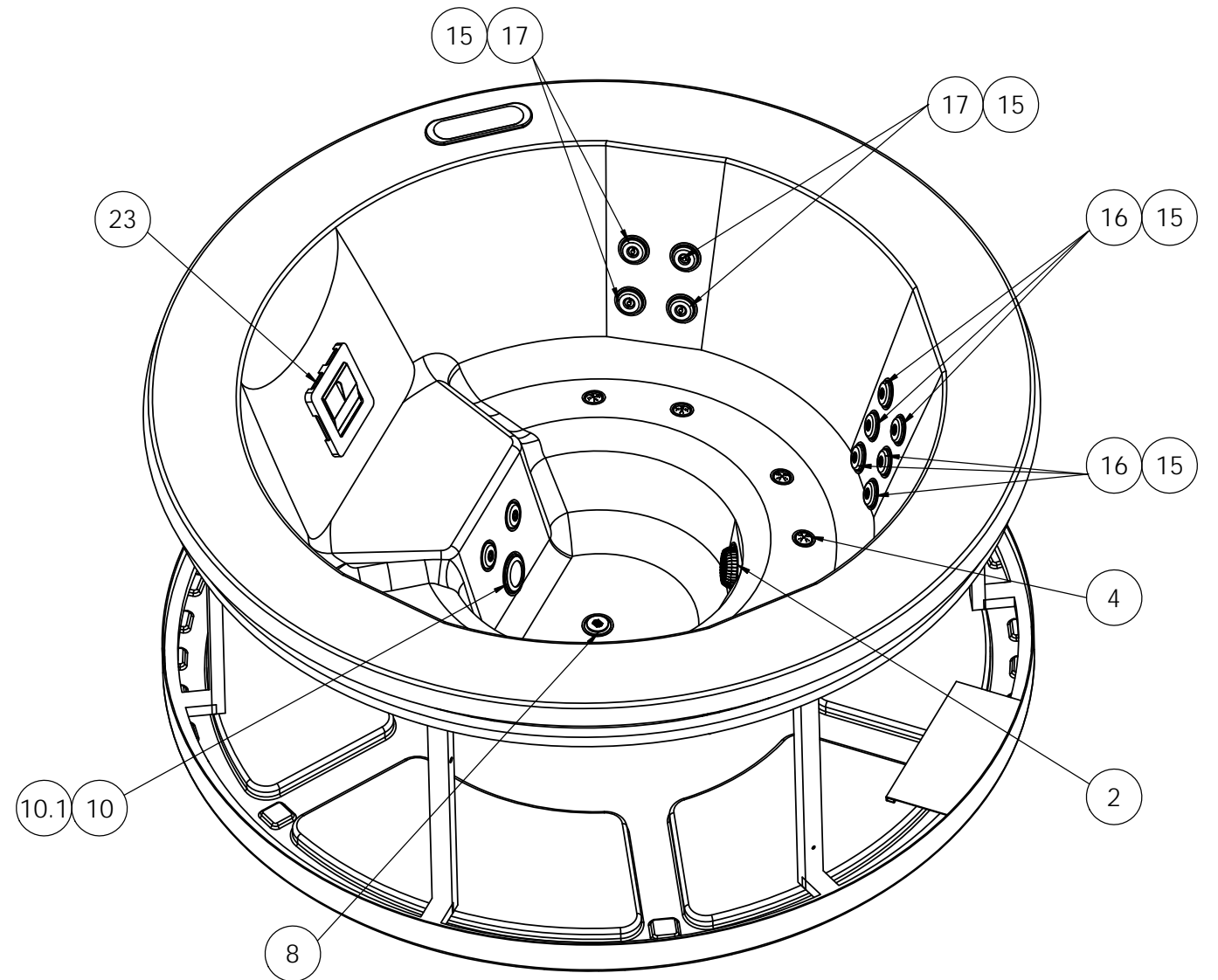
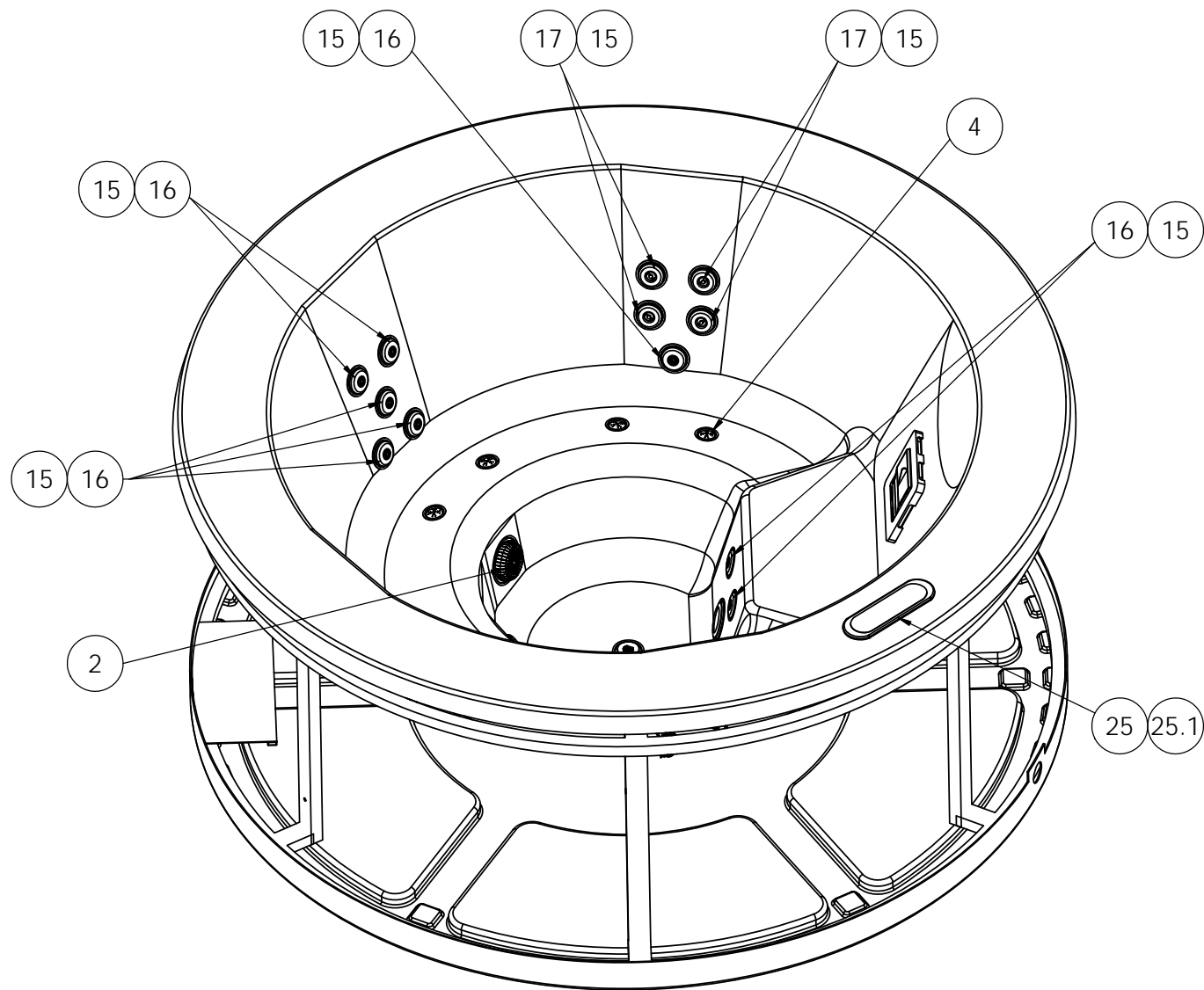
WARNING:
It's essential to keep a minimum clearance access of **700mm** all around.



↑ ↑
HYDRAULIC CONNECTIONS ACCESS


According to our policy of continuous improvement, dimensions, features or components of this product can be partially or completely changed without prior notice.
It's Customer responsibility to verify that this is the last version of the drawing

01	15/10/2014	I.Pozo	New Templates
00	13/12/2012	X.Codina	Drawing creation
Change No.	Date	Name	Modification
Remarks			COMMERCIAL
Dimensions in mm. General Tolerances +/- 10mm			
Drawn	12/12/2012	X.Codina	
Checked	--	I.Nicolas	
Scale 1:15	General Tolerance		
Sheet 1/2	DIN 7168 ISO 2768g		
			Part Number
			56609
			Rev.
			01
			First Angle Projection
			
Property of IBERSPA S.L. Avda. Pla d'Urgell 2-8 25200 Cervera, Spain. Don't use without permission. Keep this information confidential and use it solely for the permitted purpose.			



STAINLESS STEEL JET + COLOUR LIGHT			
Position Num.	Part Nº SPARE	Description SPARE	Quant.
2	RPOR0275	SS SPA DRAIN 2" ADAPTOR SOCKET D.50	2
4	REMP0046	WHITE-STAINLESS STEEL AIR NOZZLE	8
8	RPOR0277	INTERNAL SS DRAINPIPE	1
10	RPOR0239	SPOTLIGHT LED SET RD	1
10.1	RPOR0240	MASTER LED LIGHT	1
15	RPOR0235	JET BODY SET RD 2"	22
16	RPOR0230	FRONTAL JET 2" STAINLESS STEEL DIRECTIONAL	14
17	RPOR0260	JET TWIN ROTO 2" INOX	8
23	RPOR0178	SKIMMER FILTER GRIS for preasure filter	1
25	RPOR0195	DIGITAL PANEL VL700+COVER 1 PUMP + BLOWER	1
25.1	RPOR0201	COVER DIGITAL PANEL VL700 1 PUMP + BLOWER	1

According to our policy of continuous improvement, dimensions, features or components of this product can be partially or completely changed without prior notice. It's Customer responsibility to verify that this is the last version of the drawing

01	15/10/2014	I.Pozo	New Templates
00	13/12/2012	X.Codina	Drawing creation
Change No.	Date	Name	Modification
Remarks			SPARE DRAWING
Dimensions in mm. General Tolerances +/- 10mm			
Drawn	12/12/2012	X.Codina	
Checked	-	I.Nicolas	
Scale	1:15	General Tolerance DIN 7168 ISO 2768g	
Sheet	2/2		
		Part Number	Rev.
		56609	01
		First Angle Projection	