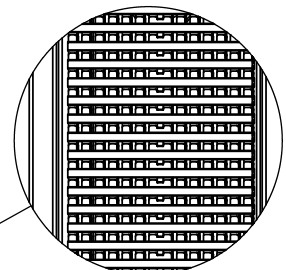
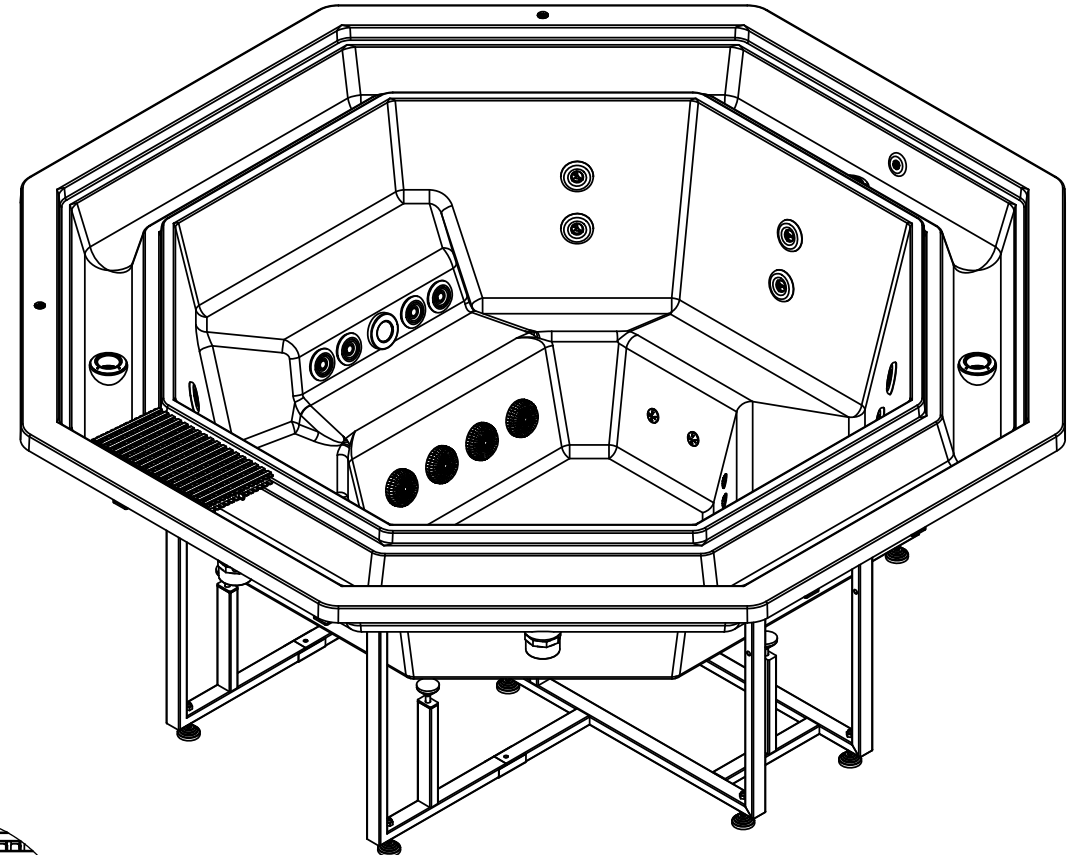
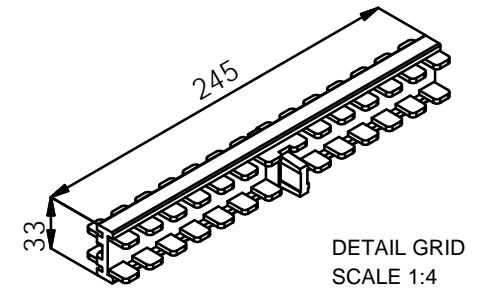


↑ ↑
HYDRAULIC CONNECTIONS ACCESS


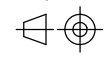


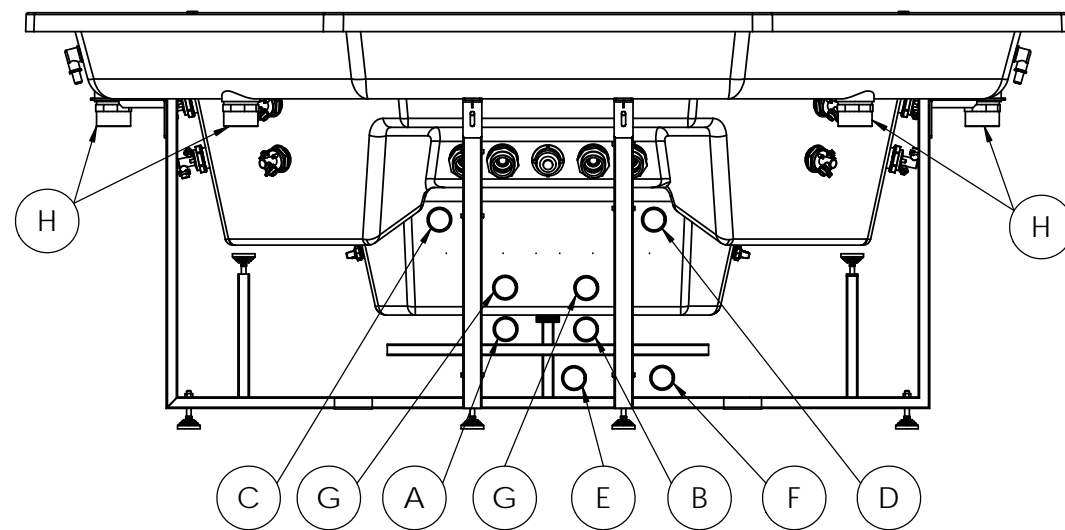
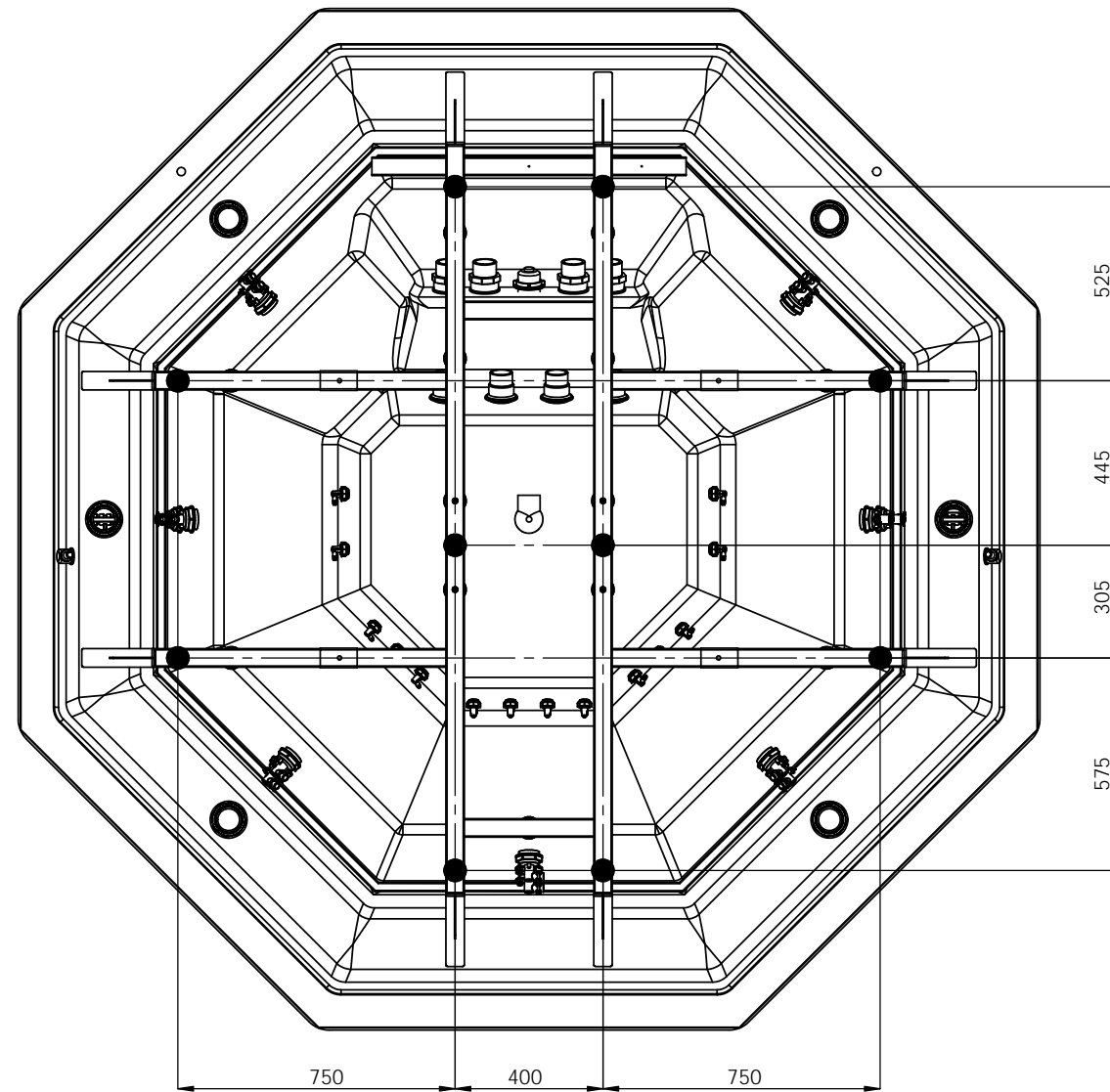
D (1 : 10)



DETAIL GRID
SCALE 1:4

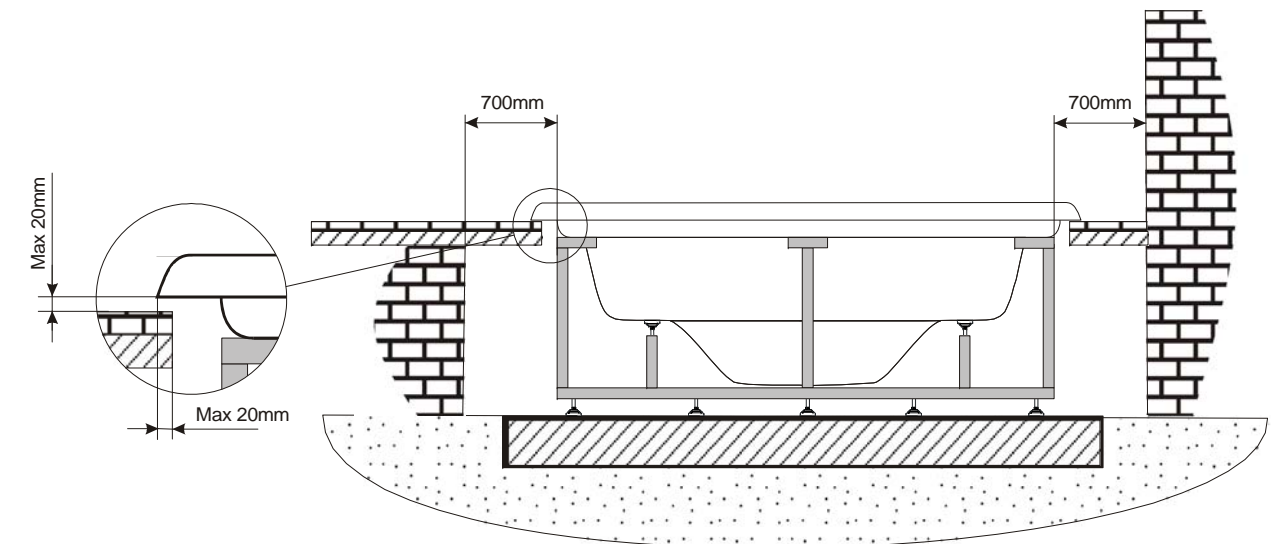
According to our policy of continuous improvement, dimensions, features or components of this product can be partially or completely changed without prior notice. It's Customer responsibility to verify that this is the last version of the drawing

01	09/06/2014	I.Pozo	New Templates					
00	12/03/2009	C.García	Drawing creation					
Change No.	Date	Name	Modification					
Remarks				COMMERCIAL				
Dimensions in mm. General Tolerances +/- 10mm								
Drawn	12/03/2009	C.García						
Checked	12/03/2009	A.Deu						
Scale 1:20	General Tolerance					Part Number	Rev.	First Angle Projection
Sheet 1/3	DIN 7168 ISO 2768g					41912 43741	01	
Property of IBERSPA S.L. Avda. Pla d'Urgell 2-8 25200 Cervera, Spain. Don't use without permission. Keep this information confidential and use it solely for the permitted purpose.								





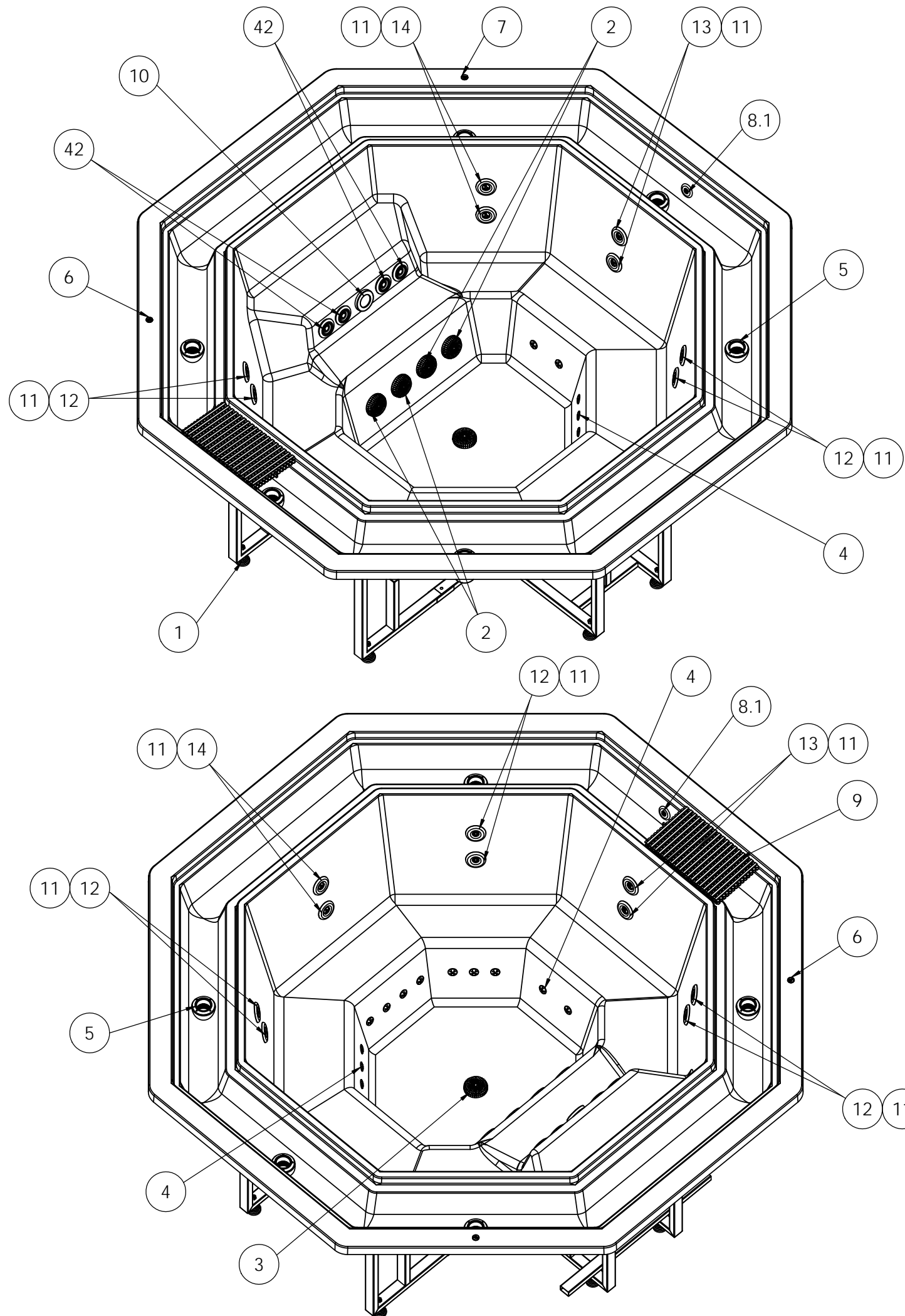
		41912	43741
A	Suction-Water Massage Pump 1	1x Ø63 FEMALE SOLVENT SOCKET	1x Ø2" FEMALE SOLVENT SOCKET
B	Suction-Water Massage Pump 2	1x Ø63 FEMALE SOLVENT SOCKET	1x Ø2" FEMALE SOLVENT SOCKET
C	Return-Water Massage Pump 1	1x Ø63 FEMALE SOLVENT SOCKET	1x Ø2" FEMALE SOLVENT SOCKET
D	Return-Water Massage Pump 2	1x Ø63 FEMALE SOLVENT SOCKET	1x Ø2" FEMALE SOLVENT SOCKET
E	Return-Air Massage	1x Ø63 FEMALE SOLVENT SOCKET	1x Ø2" FEMALE SOLVENT SOCKET
F	Suction/Return-Filtration Pump Bottom Spa	1x Ø63 FEMALE SOLVENT SOCKET	1x Ø2" FEMALE SOLVENT SOCKET
G	Return-Filtration Pump Inlets	2x Ø63 FEMALE SOLVENT SOCKET	2x Ø2" FEMALE SOLVENT SOCKET
H	Overflow Drains	6x Ø75 FEMALE SOLVENT SOCKET	6x Ø2,5" FEMALE SOLVENT SOCKET

WARNING:
It's essential to keep a minimum clearance access of **700mm** all around.



According to our policy of continuous improvement, dimensions, features or components of this product can be partially or completely changed without prior notice.
It's Customer responsibility to verify that this is the last version of the drawing

01	09/06/2014	I.Pozo	New Templates					
00	12/03/2009	C.García	Drawing creation					
Change No.	Date	Name	Modification					
Remarks				COMMERCIAL				
Dimensions in mm. General Tolerances +/- 10mm								
Drawn	12/03/2009	C.García		Part Number	41912 43741	Rev.	01	
Checked	12/03/2009	A.Deu		Scale 1:20		General Tolerance		
Sheet	2/3			DIN 7168 ISO 2768g				
Property of IBERSPA S.L. Avda. Pla d'Urgell 2-8 25200 Cervera, Spain. Don't use without permission. Keep this information confidential and use it solely for the permitted purpose.								




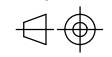
STAINLESS JETS + WHITE LIGHT			
Position Num.	Part Nº SPARE	Description SPARE	Quant.
1	303325R	SPA SUPPORT	12
2	RPOR0223	WHITE SPA DRAIN 2" ADAPTOR SOCKET D.50	4
3	RPOR0224	WHITE SPA DRAIN 2" ADAPTOR ELBOW 90 D.50	1
4	REMP0046	WHITE-STAINLESS STEEL AIR NOZZLE	14
5	REMP0051	WHITE SPA DRAIN 2 1/2'	6
6	REMP0034	DIGITAL BUTTON IP68 ALUM. AIR	1
7	REMP0033	DIGITAL BUTTON IP68 ALUM. WATER	1
8.1	RPOR0001	WHITE DRAIN SET 1/2"	2
9	REMP0041	CURVED GRATING WIDTH 245 mm	324
10	RPOR0024	LIGHT SPAS SI800	1
11	RPOR0236	JET BODY SET RD 3"	14
12	RPOR0231	FRONTAL JET 3" STAINLESS STEEL DIRECTIONAL	6
13	RPOR0232	FRONTAL JET 3" STAINLESS STEEL 1 JET ROTO	4
14	RPOR0233	FRONTAL JET 3" STAINLESS STEEL TWIN ROTO	4
42	REMP0010	PRESSURE NOZZLE	4

WHITE JETS + WHITE LIGHT			
Position Num.	Part Nº SPARE	Description SPARE	Quant.
1	303325R	SPA SUPPORT	12
2	RPOR0223	WHITE SPA DRAIN 2" ADAPTOR SOCKET D.50	4
3	RPOR0224	WHITE SPA DRAIN 2" ADAPTOR ELBOW 90 D.50	1
4	REMP0029	KIT STORM AIR NOZZLE	14
5	REMP0051	WHITE SPA DRAIN 2 1/2'	6
6	REMP0034	DIGITAL BUTTON IP68 ALUM. AIR	1
7	REMP0033	DIGITAL BUTTON IP68 ALUM. WATER	1
8.1	RPOR0001	WHITE DRAIN SET 1/2"	2
9	REMP0041	CURVED GRATING WIDTH 245 mm	324
10	RPOR0024	LIGHT SPAS SI800	1
11	RPOR0236	JET BODY SET RD 3"	14
12	REMP0058	FRONTAL JET DIRECCIONAL 3"	6
13	REMP0059	FRONTAL JET ROT 1 CHORRO 3"	4
14	REMP0060	FRONTAL JET ROT 2 CHORRO 3"	4
42	REMP0010	PRESSURE NOZZLE	4

STAINLESS JETS + COLOUR LIGHT			
Position Num.	Part Nº SPARE	Description SPARE	Quant.
1	303325R	SPA SUPPORT	12
2	RPOR0223	WHITE SPA DRAIN 2" ADAPTOR SOCKET D.50	4
3	RPOR0224	WHITE SPA DRAIN 2" ADAPTOR ELBOW 90 D.50	1
4	REMP0046	WHITE-STAINLESS STEEL AIR NOZZLE	14
5	REMP0051	WHITE SPA DRAIN 2 1/2'	6
6	REMP0034	DIGITAL BUTTON IP68 ALUM. AIR	1
7	REMP0033	DIGITAL BUTTON IP68 ALUM. WATER	1
8.1	RPOR0001	WHITE DRAIN SET 1/2"	2
9	REMP0041	CURVED GRATING WIDTH 245 mm	324
10	RCOM0063	HIGH INTENSITY COLOURS LED SPOTLIGHTS + STEEL ESCUTCHEON SPOTLIGHT	1
11	RPOR0236	JET BODY SET RD 3"	14
12	RPOR0231	FRONTAL JET 3" STAINLESS STEEL DIRECTIONAL	6
13	RPOR0232	FRONTAL JET 3" STAINLESS STEEL 1 JET ROTO	4
14	RPOR0233	FRONTAL JET 3" STAINLESS STEEL TWIN ROTO	4
42	REMP0010	PRESSURE NOZZLE	4

WHITE JETS + COLOUR LIGHT			
Position Num.	Part Nº SPARE	Description SPARE	Quant.
1	303325R	SPA SUPPORT	12
2	RPOR0223	WHITE SPA DRAIN 2" ADAPTOR SOCKET D.50	4
3	RPOR0224	WHITE SPA DRAIN 2" ADAPTOR ELBOW 90 D.50	1
4	REMP0029	KIT STORM AIR NOZZLE	14
5	REMP0051	WHITE SPA DRAIN 2 1/2'	6
6	REMP0034	DIGITAL BUTTON IP68 ALUM. AIR	1
7	REMP0033	DIGITAL BUTTON IP68 ALUM. WATER	1
8.1	RPOR0001	WHITE DRAIN SET 1/2"	2
9	REMP0041	CURVED GRATING WIDTH 245 mm	324
10	RCOM0061	HIGH INTENSITY COLOURS LED SPOTLIGHTS + WITHE ESCUTCHEON SPOTLIGHT	1
11	RPOR0236	JET BODY SET RD 3"	14
12	REMP0058	FRONTAL JET DIRECCIONAL 3"	6
13	REMP0059	FRONTAL JET ROT 1 CHORRO 3"	4
14	REMP0060	FRONTAL JET ROT 2 CHORRO 3"	4
42	REMP0010	PRESSURE NOZZLE	4

According to our policy of continuous improvement, dimensions, features or components of this product can be partially or completely changed without prior notice. It's Customer responsibility to verify that this is the last version of the drawing

01	09/06/2014	I.Pozo	New Templates
00	12/03/2009	C.García	Drawing creation
Change No.	Date	Name	Modification
Remarks			
Dimensions in mm. General Tolerances +/- 10mm			
Drawn	12/03/2009	C.García	
Checked	12/03/2009	A.Deu	
Scale 1:20	General Tolerance DIN 7168 ISO 2768g		
Sheet 3/3			SPARE DRAWING Part Number 41912 43741
		Rev.	01 
Property of IBERSPA S.L. Avda. Pla d'Urgell 2-8 25200 Cervera, Spain. Don't use without permission. Keep this information confidential and use it solely for the permitted purpose.			