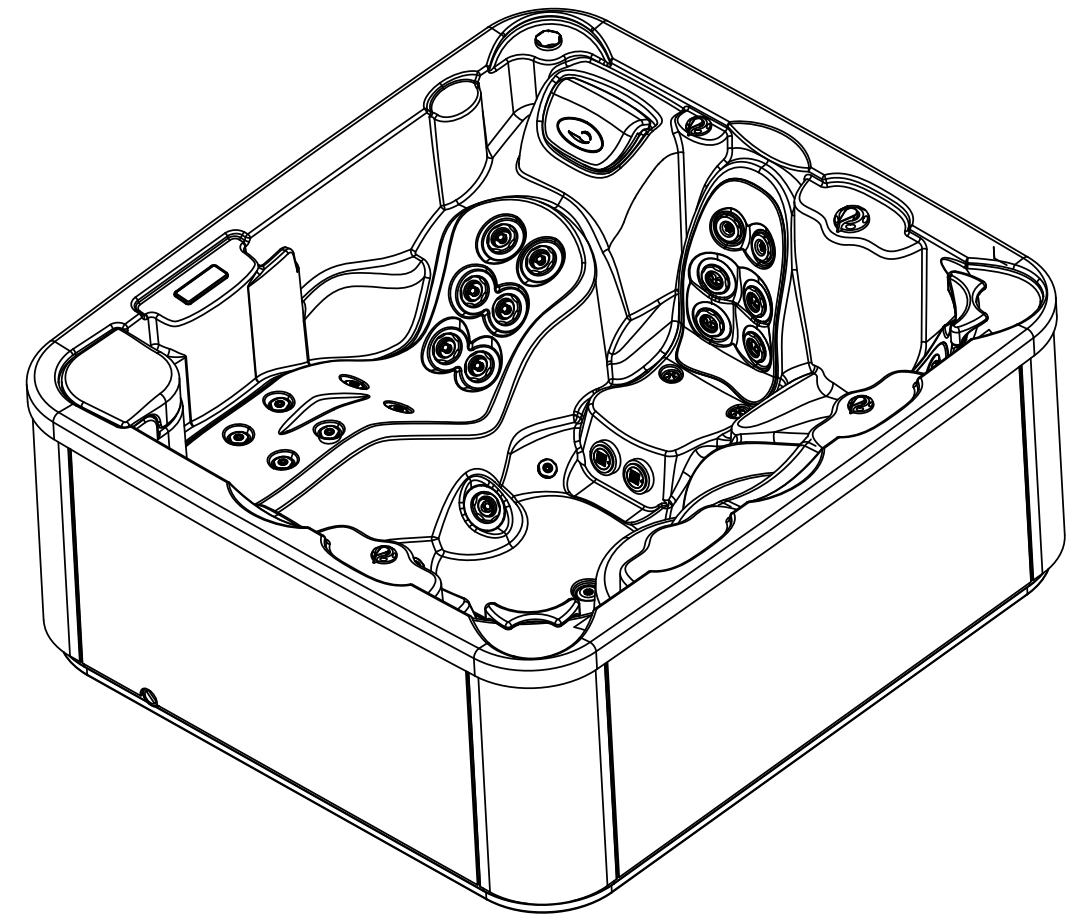
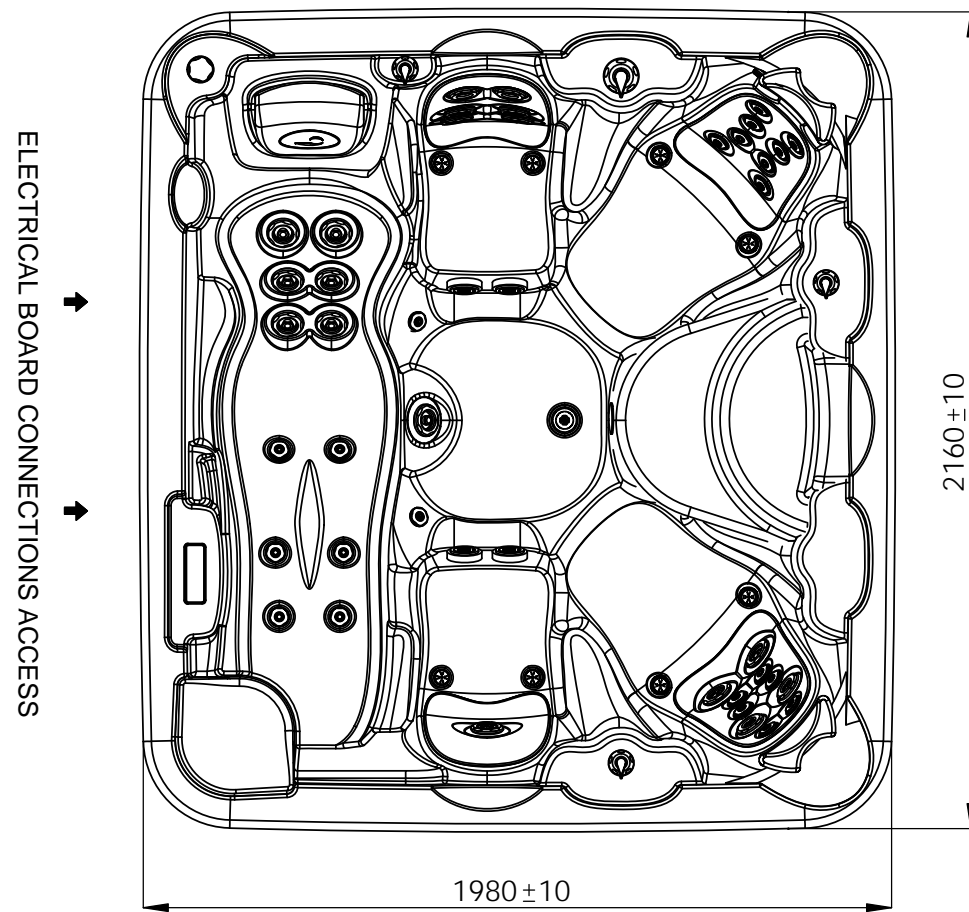

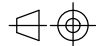


CABINET DESIGN ACCORDING TO THE SELECTED OPTION



According to our policy of continuous improvement, dimensions, features or components of this product can be partially or completely changed without prior notice. It's Customer responsibility to verify that this is the last version of the drawing

01	08/04/13	I.Pozo	Drawing Update						
00	25/09/12	X.Codina	Drawing creation						
Change No.	Date	Name	Modification						
Remarks				COMMERCIAL DRAWING					
Dimensions in mm. General Tolerances +/- 10mm									
Drawn	25/09/12	X.Codina			Part Number	52565	Rev.	01	
Checked	25/09/12	I.Nicolas							
Scale	General Tolerance DIN 7168 ISO 2768g								
1:20				<small>Property of IBERSPA S.L. Avda. Pla d'Urgell 2-8 25200 Cervera, Spain. Don't use without permission. Keep this information confidential and use it solely for the permitted purpose.</small>					