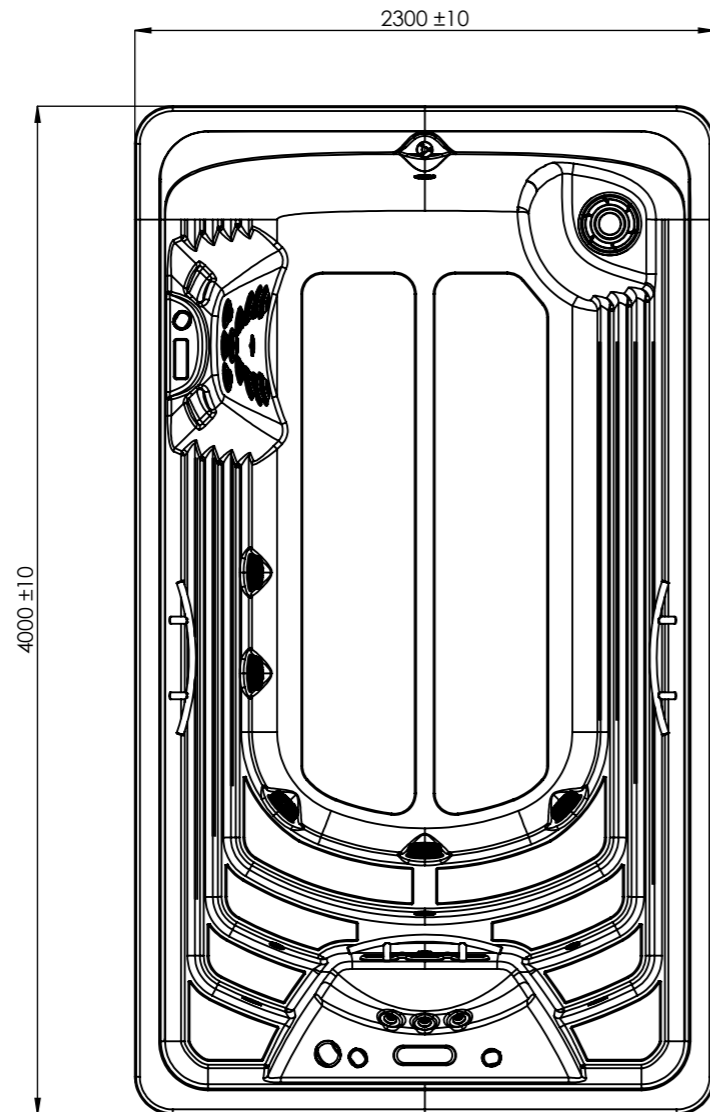
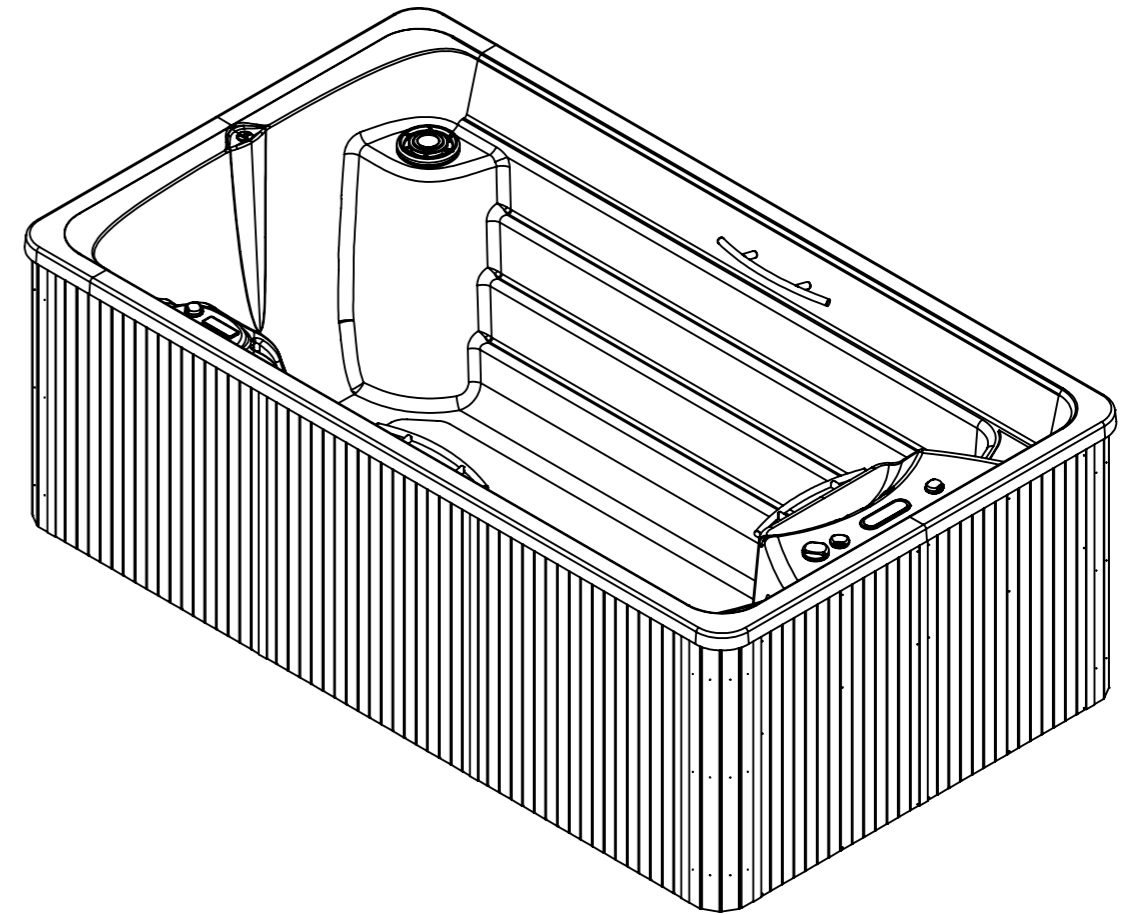


↑  
DRAIN



↑  
DRAIN

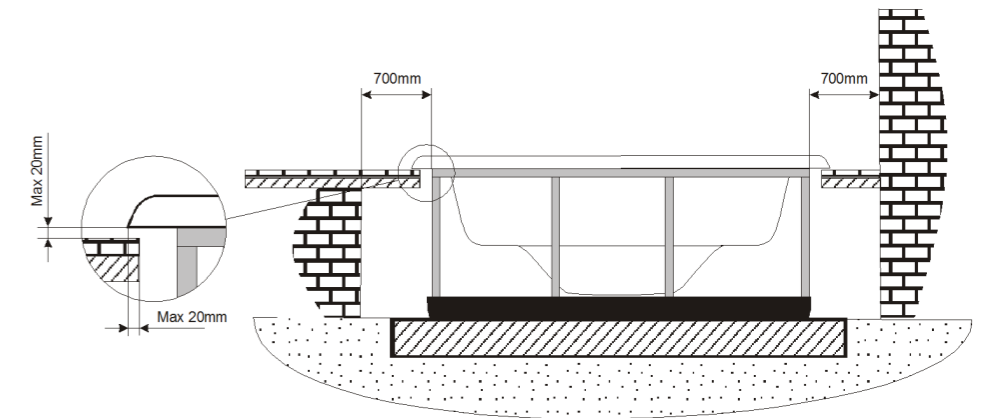
↑                    ↑  
ELECTRICAL BOARD CONNECTIONS ACCESS




**Inground option**

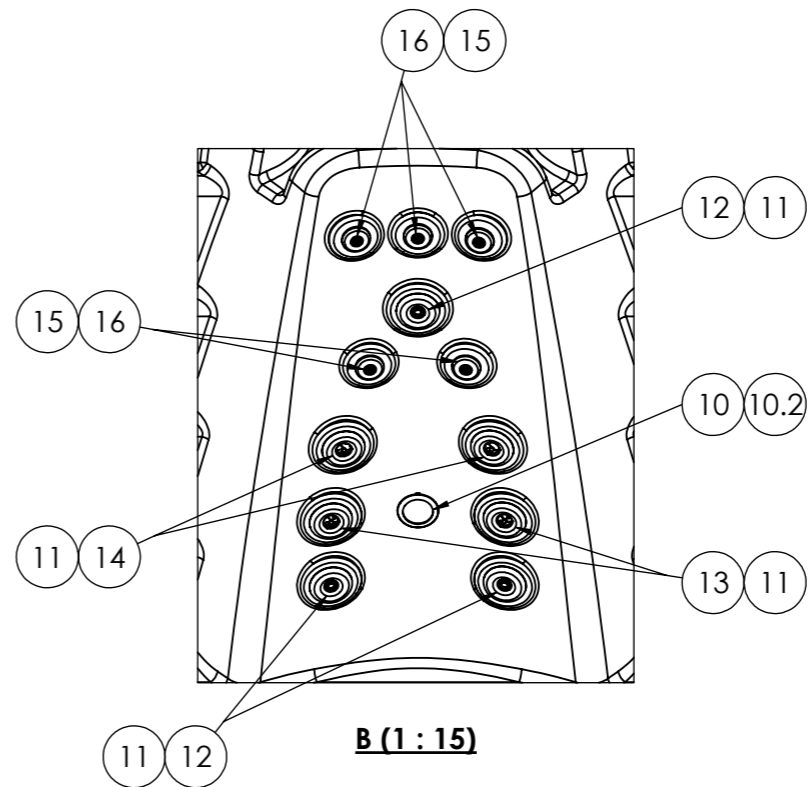
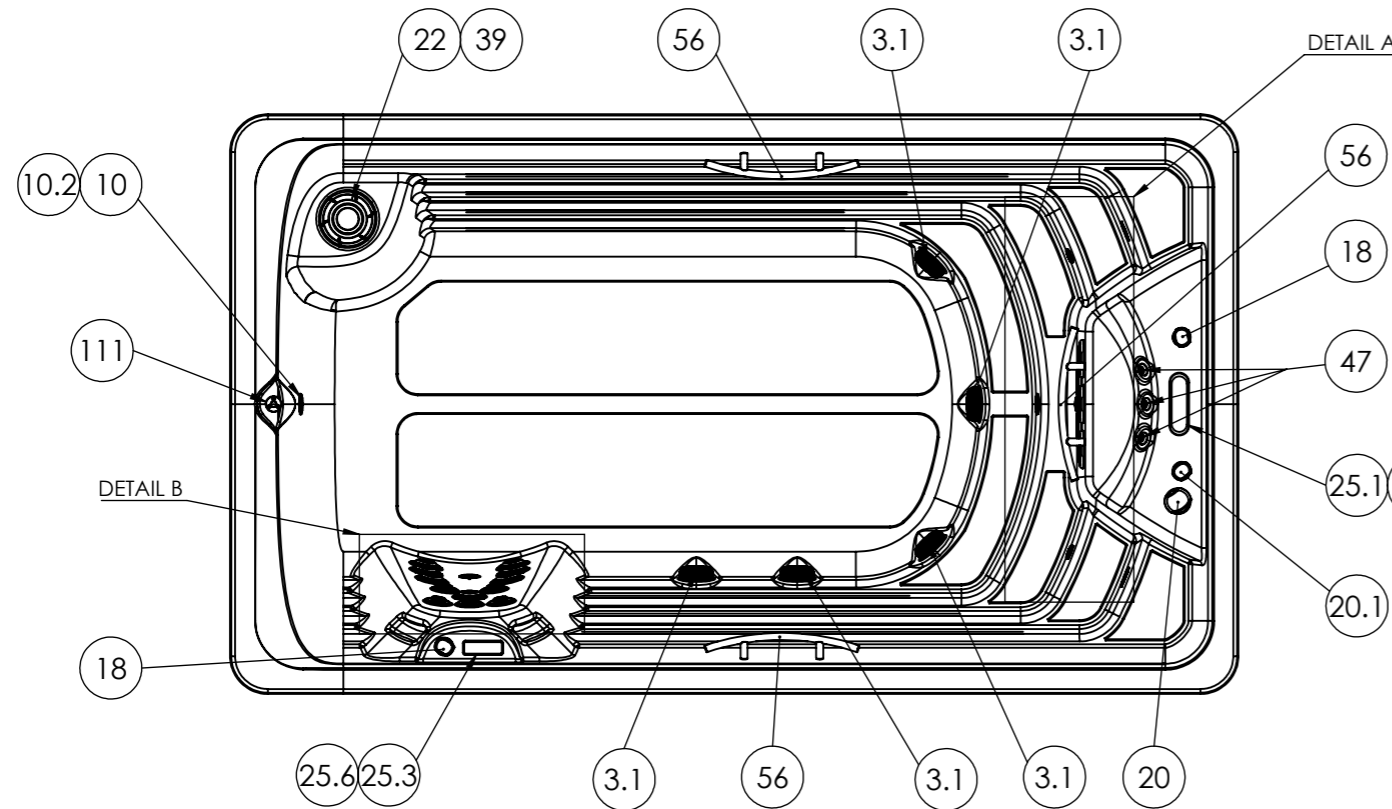
**WARNING:**

It's essential to keep a minimum clearance access of **700mm** all around.



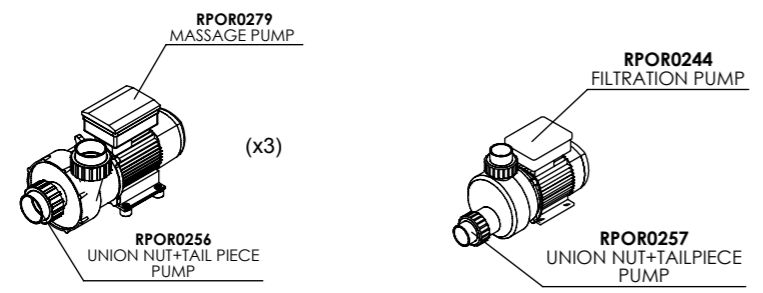
According to our policy of continuous improvement, dimensions, features or components of this product can be partially or completely changed without prior notice. It's Customer responsibility to verify that this is the last version of the drawing

Change No.	Date	Name	Modification						
Remarks							COMMERCIAL		
Dimensions in mm. General Tolerances +/- 10mm									
Drawn	20/03/2017	O. Faura					Part Number	Rev.	First Angle Projection
Checked	20/03/2017	V. Saiz							
Scale 1:30	General Tolerance						69128	00	
Sheet 1/2	DIN 7168 ISO 2768g								
									
<small>Property of IBERSPA S.L. Avda. Pla d'Urgell 2-8 25200 Cervera, Spain. Don't use without permission. Keep this information confidential and use it solely for the permitted purpose.</small>									

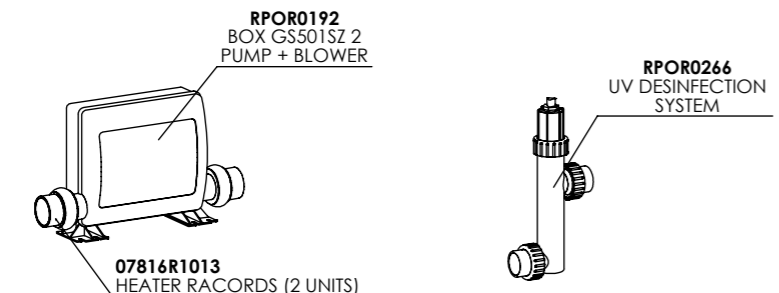


ACCESSORIES			
Position Num.	Part N° SPARE	Description SPARE	Quant.
3.1	RPOR0166	SUPER HI-FLO SUCTION 2" GREY	5
10	RPOR0239	SPOTLIGHT LED SET RD	5
10.1	RPOR0240	MASTER LED LIGHT	1
10.2	RPOR0252	LED SLAVE LIGHT	4
11	RPOR0236	JET BODY SET RD 3"	7
12	RPOR0231	FRONTAL JET 3" STAINLESS STEEL DIRECTIONAL	3
13	RPOR0233	FRONTAL JET 3" STAINLESS STEEL TWIN ROTO	2
14	RPOR0232	FRONTAL JET 3" STAINLESS STEEL 1 JET ROTO	2
15	RPOR0235	JET BODY SET RD 2"	8
16	RPOR0230	FRONTAL JET 2" STAINLESS STEEL DIRECTIONAL	8
18	RPOR0261	VENTURY CONTROLLER SS	2
20	RPOR0262	3 WAYS SS VALVE 2"	1
20.1	RPOR0286	3 WAYS VALVE 1" SS	1
22	RPOR0174	SKIMMER SWIMSPA	1
25	RPOR0196	DIGITAL PANEL VL700+COVER 2 PUMP + BLOWER	1
25.1	RPOR0202	COVER DIGITAL PANEL VL700 2 PUMP + BLOWER	1
25.3	RPOR0291	COVER AUXILIARY PANEL VL700 (3 PUMPS)	1
25.6	RPOR0312	AUX PANEL VX40 3 JETS PUMPS	1
39	RPOR0175	SWIMSPA CARTDRIGE FILTER	1
47	RPOR0165	FOUNTAIN	3
56	RPOR0250	SPECIAL HANDGRIP SPA 600	3
52	RPOR0282	SWIM JET STAINLESS STEEL	5
111	RPOR042	FASTENING SWIMM SET	1
			1

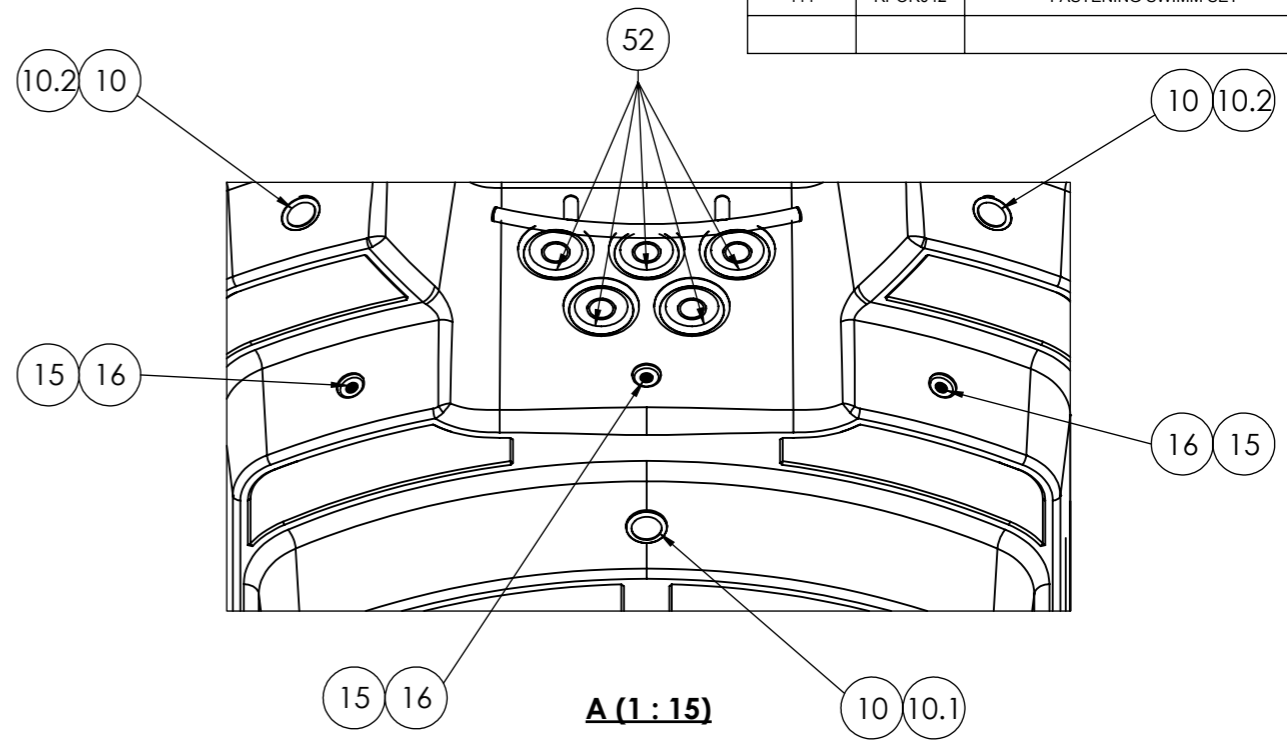
**PUMPS SPARE CODES**



**HEATER AND DESINFECTION SPARE CODES**



07816R1013 HEATER RACORDS (2 UNITS)  
 RPOR0101 - TEMPERATURE PROBES GS I GL (x 2)  
 RPOR0105 - HEATER 3 KW GS I GL  
 RPOR0197 - DIGITAL PANEL GS501SZ  
 RPOR0193 - EXPANDER BOARD KIT FOR SISTEM GS501SZ



According to our policy of continuous improvement, dimensions, features or components of this product can be partially or completely changed without prior notice. It's Customer responsibility to verify that this is the last version of the drawing

Change No.	Date	Name	Modification
Remarks			
Dimensions in mm. General Tolerances +/- 10mm			
Drawn	20/03/2017	O. Faura	<b>IBERSPA</b> Part Number 69128 Rev. 00 First Angle Projection
Checked	20/03/2017	V. Saiz	
Scale 1:30	General Tolerance DIN 7168 ISO 2768g		
Sheet 2/2	Property of IBERSPA S.L. Avda. Pla d'Urgell 2-8 25200 Cervera, Spain. Don't use without permission. Keep this information confidential and use it solely for the permitted purpose.		