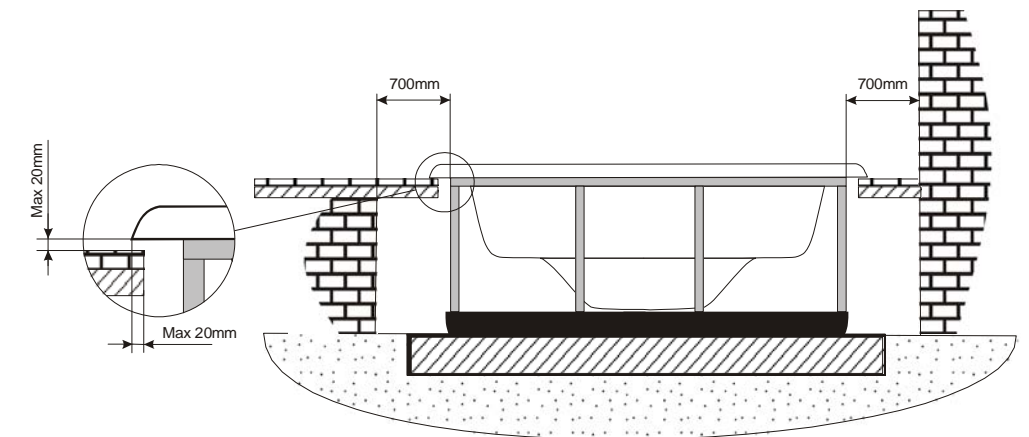

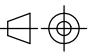


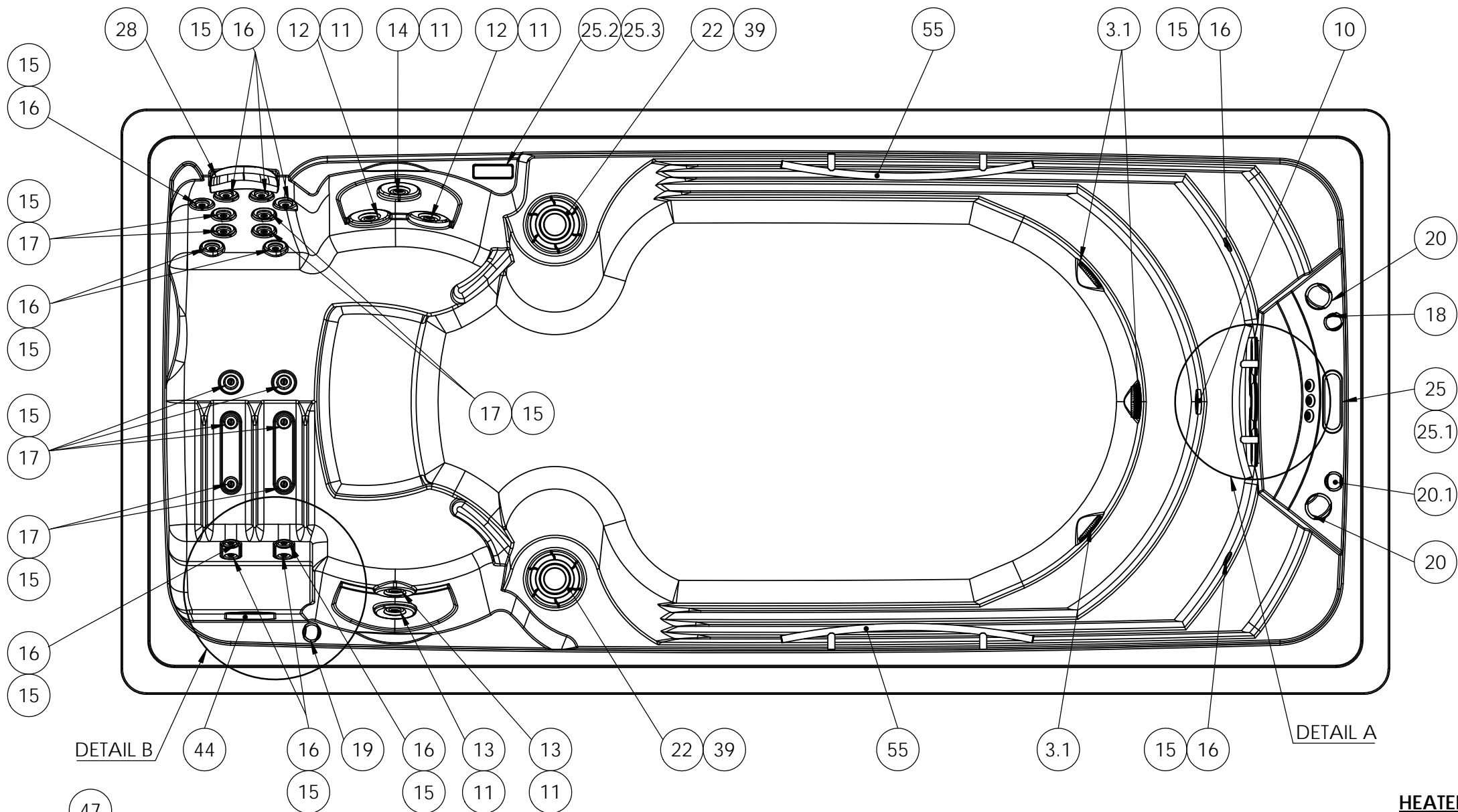
**WARNING:**  
It's essential to keep a minimum clearance access of **700mm** all around.



According to our policy of continuous improvement, dimensions, features or components of this product can be partially or completely changed without prior notice.  
It's Customer responsibility to verify that this is the last version of the drawing

03	03/12/2014	I.Pozo	New spare templates
02	22/05/2014	I.Pozo	New templates
01	25/04/2012	I.Nicolas	Drawing Release
00	25/04/2012	--	Creation
Change No.	Date	Name	Modification
Remarks			COMMERCIAL
Dimensions in mm. General Tolerances +/- 10mm			
Drawn	25/04/2012	J.Jorba	
Checked	25/04/2012	I.Nicolas	
Scale	1:25	General Tolerance	Part Number <b>41902</b>
Sheet	1/2	DIN 7168 ISO 2768g	
			Rev. <b>03</b>
			First Angle Projection 
Property of IBERSPA S.L. Avda. Pla d'Urgell 2-8 25200 Cervera, Spain. Don't use without permission. Keep this information confidential and use it solely for the permitted purpose.			

ACCESSORIES			
Position Num.	Part Nº SPARE	Description SPARE	Quant.
3.1	RPOR0166	SUPER HI-FLO SUCTION 2" GREY	3
10	RCOM0063	HIGH INTENSITY COLOURS LED SPOTLIGHTS + STEEL ESCUTCHEON SPOTLIGHT	1
11	RPOR0236	JET BODY SET RD 3"	5
12	RPOR0231	FRONTAL JET 3" STAINLESS STEEL DIRECTIONAL	2
13	RPOR0232	FRONTAL JET 3" STAINLESS STEEL 1 JET ROTO	2
14	RPOR0233	FRONTAL JET 3" STAINLESS STEEL TWIN ROTO	1
15	RPOR0235	JET BODY SET RD 2"	23
16	RPOR0230	FRONTAL JET 2" STAINLESS STEEL DIRECTIONAL	13
17	RPOR0260	JET TWIN ROTO 2" INOX	10
18	RPOR0261	VENTURY CONTROLLER SS	1
19	RPOR0263	VALVE ON-OFF 1" SS	1
20	RPOR0262	3 WAYS SS VALVE 2"	2
20.1	RPOR0286	3 WAYS VALVE 1" SS	1
22	RPOR0174	SKIMMER SWIMSPA	2
25	RPOR0196	DIGITAL PANEL VL700+COVER 2 PUMP + BLOWER	1
25.1	RPOR0202	COVER DIGITAL PANEL VL700 2 PUMP + BLOWER	1
25.2	RPOR0219	AUXILIARY PANEL VL700	1
25.3	RPOR0203	COVER AUXILIARY PANEL VL700	1
28	RPOR0032	SMALL HEADREST GREY	1
39	RPOR0175	SWIMSPA CARTDRIGE FILTER	2
44	RPOR0278	SS 7" WATERFALL	1
47	RPOR0165	FOUNTAIN	3
52	RPOR0282	SWIM JET STAINLESS STEEL	5
55	RPOR0198	SPECIAL HANDGRIP SPA 1000	2
56	RPOR0250	SPECIAL HANDGRIP SPA 600	1

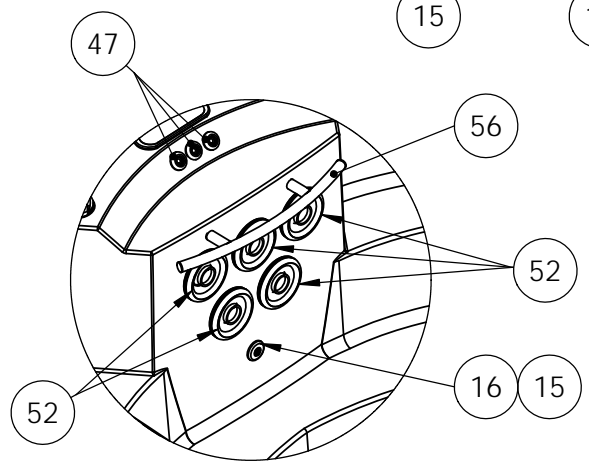


DETAIL B

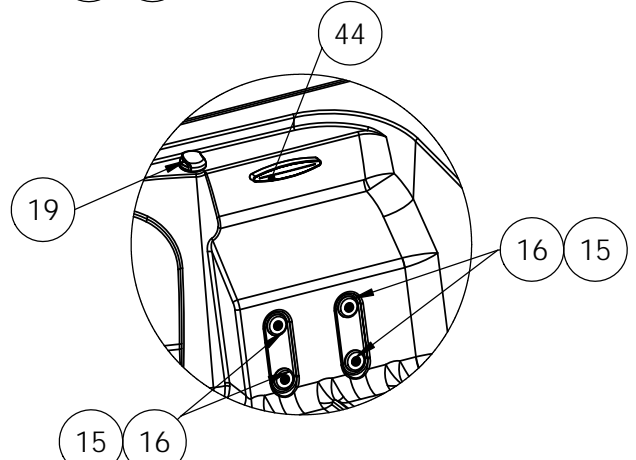
DETAIL A

**PUMPS SPARE CODES**

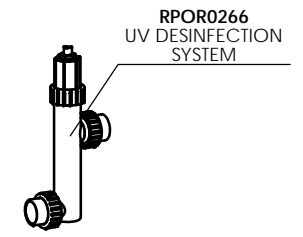
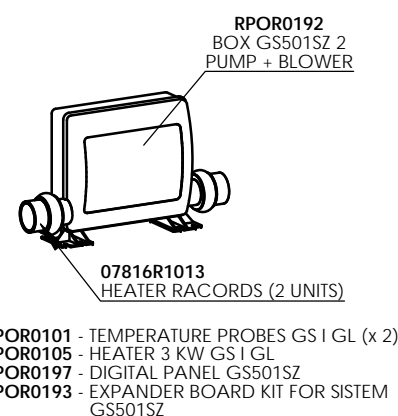
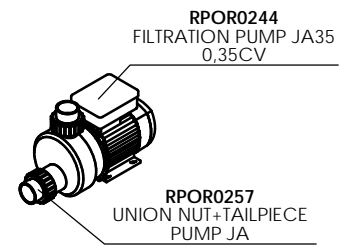
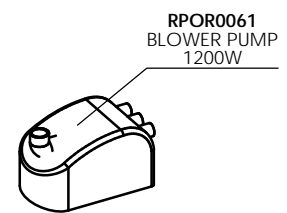
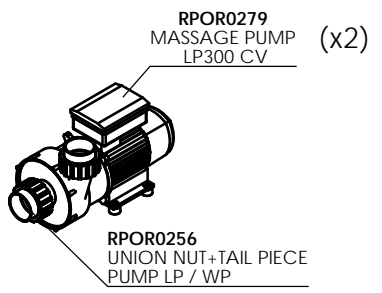
**HEATER AND DESINFECTION SPARE CODES**



**A (1:20)**



**B (1:20)**



According to our policy of continuous improvement, dimensions, features or components of this product can be partially or completely changed without prior notice. It's Customer responsibility to verify that this is the last version of the drawing

Change No.	Date	Name	Modification
03	03/12/2014	I.Pozo	New spare templates
02	22/05/2014	I.Pozo	New templates
01	25/04/2012	I.Nicolas	Drawing Release
00	25/04/2012	--	Creation

Remarks Dimensions in mm. General Tolerances +/- 10mm			<b>SPARE PARTS DRAWING</b>		
Drawn	25/04/2012	J.Jorba			
Checked	25/04/2012	I.Nicolas	Part Number	Rev.	First Angle Projection
Scale 1:20	General Tolerance DIN 7168 ISO 2768g		<b>IBERSPA</b>	<b>41902</b>	<b>03</b>
Sheet 2/2	Property of IBERSPA S.L. Avda. Pla d'Urgell 2-8 25200 Cervera, Spain. Don't use without permission. Keep this information confidential and use it solely for the permitted purpose.				